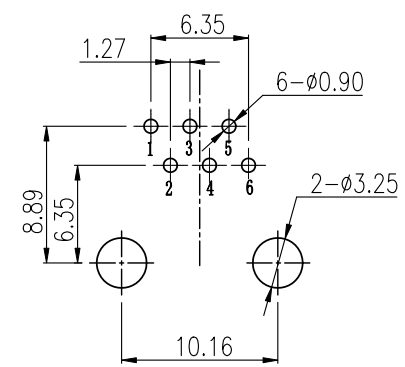
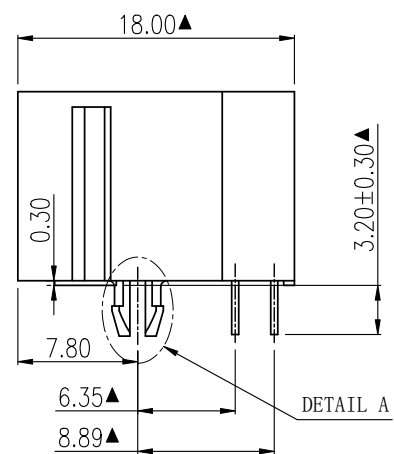
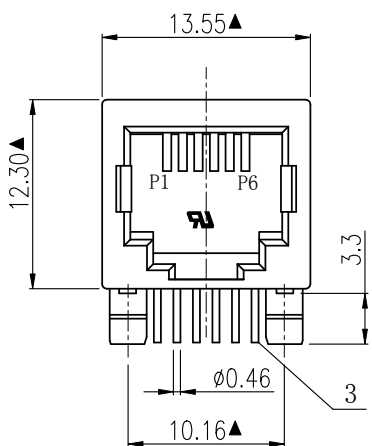
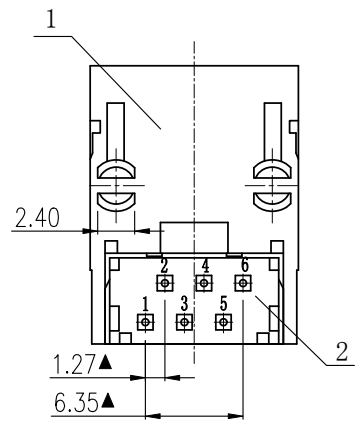


NO.	ECN NO.	DESCRIPTION	REV.	DRAW	DATE
1					
2					
3					

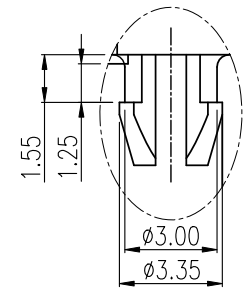


RECOMMENDED P.C.B LAYOUT TOP VIEW
(COMPONENT SIDE TOLERANCE±0.05)



11111-0 0 G X X 1
规格流水码

电镀代码
05-G/F
11-3u"
15-6u"
19-15u"



DETAIL A
SCALE 2:1

Electrical Characteristic:
 1.Voltage Rating: 125 VAC RMS;
 2.Current Rating: 1.5 A Max @25° C;
 3.Contact resistance: 20 mΩ Max;
 4. Insulation Resistance: 500 MΩ Min.@500 VDC;
 5.Dielectric withstanding Voltage:
 1000 V DC or AC peak, for 1 minute 0.5 mA contact-to-contact.

Environmental Characteristic:
 1. Stockpile Temperature: - 40 ° C to 70° C;
 2. Operating Temperature: - 40 ° C to 70° C;
 3. Shelf Life: 12 Months;
 4. The product is suitable for wave soldering process

Mechanical Characteristic:
 1. Housing:Glass Filled PA46 BLACK UL94V-0(RoHS).
 2. Insert:Glass Filled PA46 BLACK UL94V-0(RoHS)
 3. Contact:0.46mm DIA Phosphor Bronze gold Plating Over Nickel(RoHS).
 6. Durability: 750 Cycles Min;
 7. Connector Mating/Unmating Force: 30N Max.
 8. Plug Retention Force: 50N min, 60s±5s;
 ※MATES WITH MODULAR PLUG CONFORMING TO FCC PART 68, SUBPART F.
 ※The Dimensions Marked"▲" Symbols Are Stand For Key Characteristics.

产品客户图 Customer Drw		GLGNET® 深圳市方向电子股份有限公司 SHEN ZHEN GLGNET ELECTRONICS CO.,LTD.			
未注公差 TOLERANCE UNLESS OTHERWISE SPECIFIED	. X ±0.35 . XX ±0.25 . XXX ±0.15 X° ±3°	设计 DESIGN		品名 TITLE	5524-6P6C
比例 SCALE	1:1	角法 PROJ.	设计 CHECKED	料号 ITEM NO.	11111-00GXX1
张数 SHEET	1/1	大小 SIZE	A4	图号 DWG NO.	GLG-WD-063 GIG-110050
单位 UNIT	mm	版本 REV.	B0	核准 APPROVED	