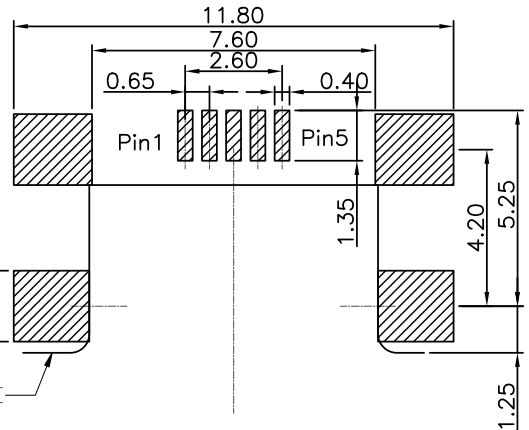
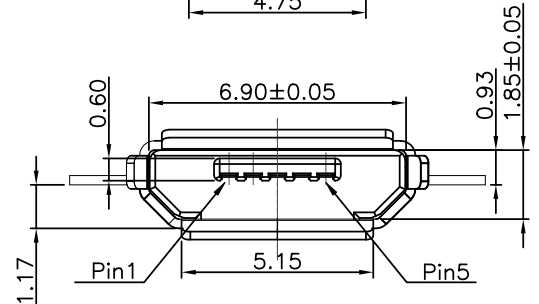
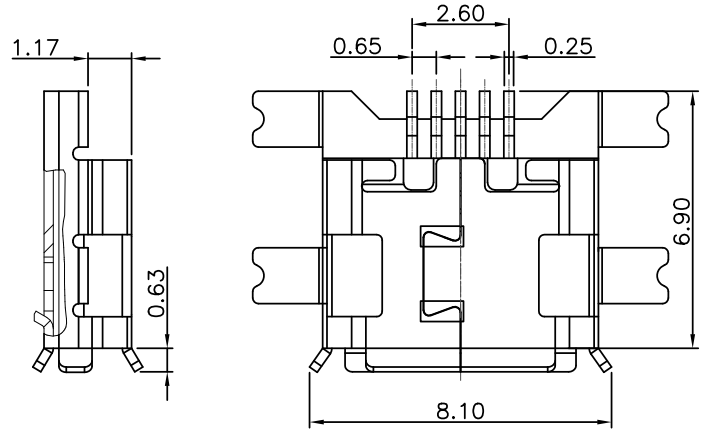
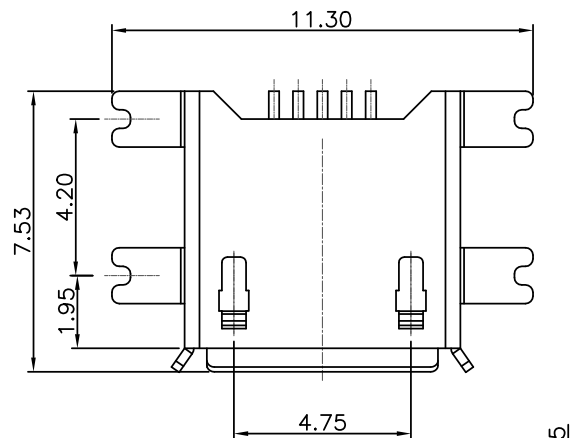
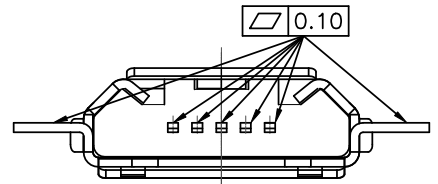


NO.	ECN NO.	DESCRIPTION	REV.	DRAW	DATE
1					
2					
3					



PIN 5	GND
PIN 4	ID
PIN 3	D+
PIN 2	D-
PIN 1	VBUS
Contact Number	Signal Name

RECOMMENDED PCB LAYOUT(TOP VIEW)

- MATERIAL SPECIFICATION:
 - HOUSING: HIGH TEMPERATURE THERMOPLASTIC; UL94 V-0 BLACK.
 - CONTACTS: PHOSPHOR BRONZE T=0.15mm.
 - SHELL: COPPER ALLOY T=0.25mm.
- PLATING SPECIFICATION:
 - CONTACTS: Ni 50u" MIN. UNDER PLATED OVERALL. Au(SEE PART NOTE)MIN PLATED ON THE FUNCTIONAL AREA OF CONTACT AND SOLDER AREA.
 - SHELL: Ni 30u" MIN. PLATED OVERALL. MATTE TIN 40u" MIN.
- MECHANICAL PERFORMANCE,
 - INSERTION FORCE: 3.5kgf MAX
 - REMOVAL FORCE: 1.0kgf MIN
 - DURABILITY: 10000 CYCLES. REMOVAL FORCE 0.8kgf MIN
- ELECTRICAL PERFORMANCE,
 - INSULATION RESISTANCE: 100MΩ MIN
 - DIELECTRIC WITHSTAND VOLTAGE, AC 100V FOR 1 MINUTE.
- OPERATING TEMPERATURE: -40°TO+85°
- RoHS COMPLIANT.
- IR REFLOW: THE PEAK TEMPERATURE ON THE BOARD SHALL BE MAINTAINED FOR 10 SECONDS AT 260±5°C.
- PART NUMBER NOTE:

08527-00 J 05 9

PLATING CODE:
05: Au G/F

PLATING SPECIFICATION:
J: HALF THE GOLD NI

TYPE SERIAL NUMBER
PRODUCT SERIAL NUMBER
USB TYPE

产品客户图 Customer Drw		GLGNET® 深圳市方向电子股份有限公司 SHEN ZHEN GLGNET ELECTRONICS CO., LTD.			
未注公差 TOLERANCE UNLESS OTHERWISE SPECIFIED	X ±0.45 .X ±0.35 .XX ±0.25 X° ±3°	设计 DESIGN		品名 TITLE	USB-SMT90-M-M2B-5P-N-00
比例 SCALE	1:1	角法 PROJ.	设计 CHECKED	料号 ITEM NO.	08527-00J059
张数 SHEET	1/1	大小 SIZE	核准 APPROVED	图号 DWG NO.	GLG-WC-XXX
单位 UNIT	mm	版本 REV.	A0		