

NO.	ECN NO.	DESCRIPTION	REV.	DRAW	DATE
1		依制程要求修改包规	A2	HU G, L	20211019
2		解决客户反馈回流焊问题, 优化胶体结构	A3	YJH	20220623
3					

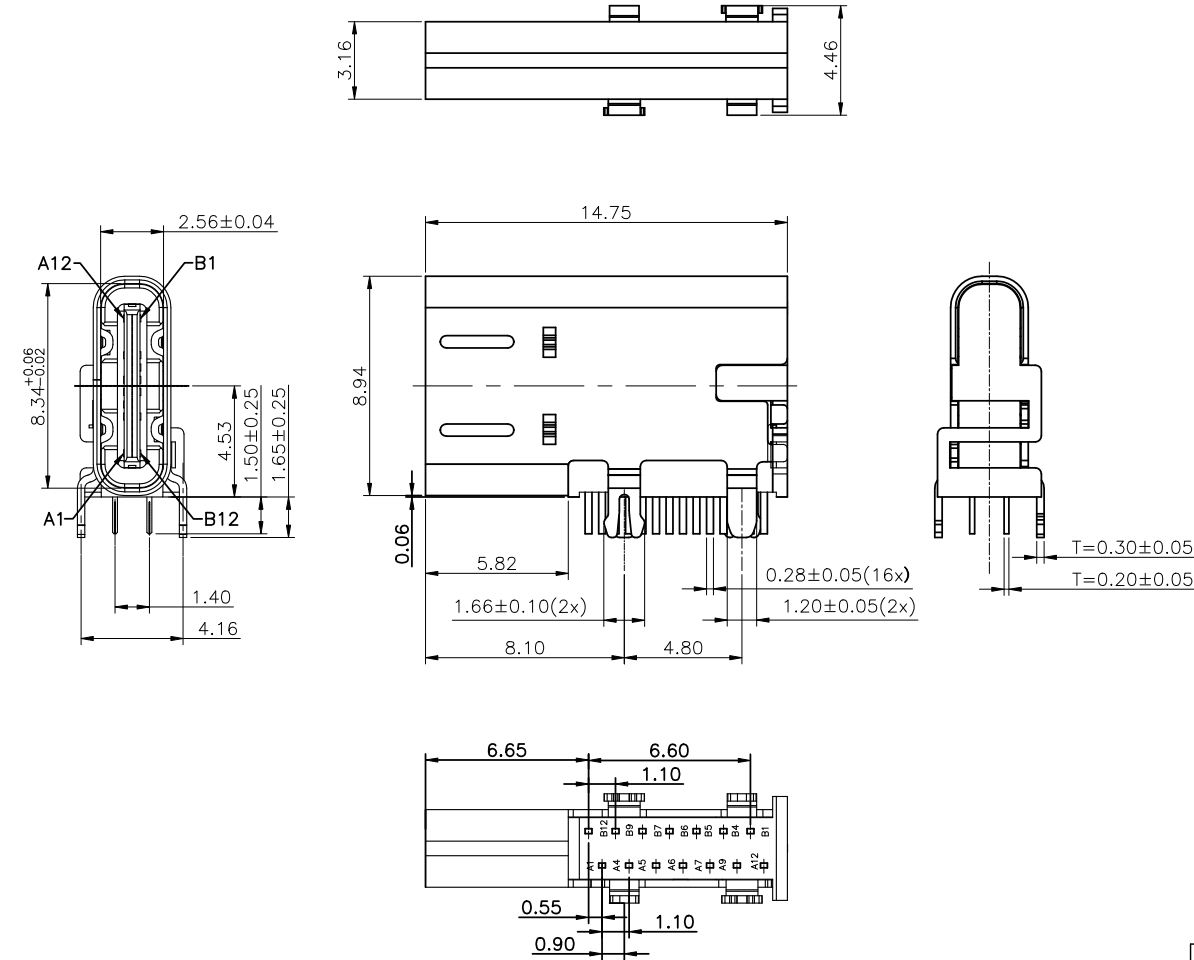
NOTE:

- MATERIAL SPECIFICATION:
  - HOUSING: LCP, UL94 V-0 BLACK.
  - CONTACTS: COPPER ALLOY (C1814)
  - MID PLATE: STAINLESS STEEL (SUS301)
  - FRONT SHELL: STAINLESS STEEL (SUS201)
- PLATING SPECIFICATION:
  - CONTACTS:
    - Ni 50u" MIN. UNDER PLATED OVER ALL.
    - Au PLATED ON THE FUNCTIONAL AREA OF CONTACT. (GOLD PLATING THICKNESS FOLLOW THE P/N)
    - PLATING SPECIFICATIONS OF THE SOLDER AREA FOLLOW THE P/N
  - FRONT SHELL:
    - DARK NICKEL 30u" MIN. UNDER PLATED OVER ALL.
  - MID PLATE & EMI PLATE:
    - CLEAR ONLY
- MECHANICAL PERFORMANCE,
  - INSERTION FORCE: 0.5~2.0kgf.
  - REMOVAL FORCE: 0.8kgf~2.0kgf.
  - DURABILITY: 10000 CYCLES.
- ELECTRICAL PERFORMANCE,
  - CURRENT RATING: 5.0A  
VOLTAGE RATING: 5.0V
  - LLCR:
    - VBUS & GND PINS AND OTHER PINS: 40mΩ/PIN MAX.
    - SHIELD: 50mΩ/MAX.
    - LLCR MAX. CHANGE OF ALL PINS: 10mΩ.
  - INSULATION RESISTANCE: 100MΩ MIN
  - DIELECTRIC WITHSTAND VOLTAGE, AC 100V FOR 1 MINUTE.
- ENVIRONMENTAL PERFORMANCE:
  - OPERATING TEMPERATURE: -25°C~+85°C.
- IR REFLOW:
  - THE PEAK TEMPERATURE ON THE BOARD SHALL BE MAINTAINED FOR 10 SECONDS AT 260°C.

08602-00 J XX 9

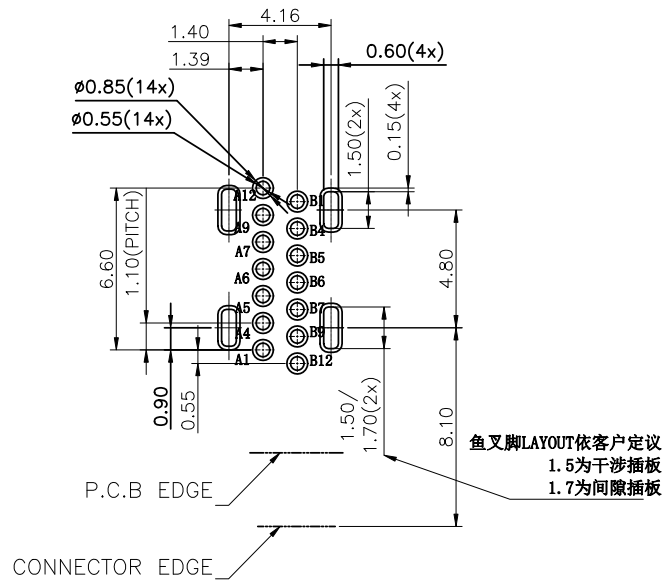
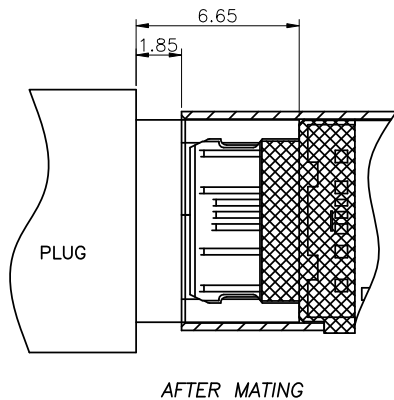
RoHS COMPLIANT.  
PLATING CODE:  
05:G/F; 11:Au3u"  
PLATING SPECIFICATION:  
J: HALF THE GOLD MATTE TIN

TYPE SERIAL NUMBER  
PRODUCT SERIAL NUMBER  
USB TYPE



产品客户图 Customer Drw		GLGNET® 深圳市方向电子股份有限公司 SHEN ZHEN GLGNET ELECTRONICS CO., LTD.			
未注公差 TOLERANCE UNLESS OTHERWISE SPECIFIED	X ±0.35 .X ±0.25 .XX ±0.15 X' ±3°	设计 DESIGN	YJH	20220623	品名 TITLE USB-UP-DIP90-M-C20-14P-A-00
比例 SCALE	1:1	角法 PROJ.	⊕		料号 ITEM NO.
张数 SHEET	1/2	大小 SIZE	A4	校对 CHECKED	08602-00JXX9
单位 UNIT	mm	版本 REV.	A3	核准 APPROVED	图号 DWG NO.
					GLG-WC-257

NO.	ECN NO.	DESCRIPTION	REV.	DRAW	DATE
1		依制程要求修改包规	A2	HU G, L	20211019
2		解决客户反馈回流焊问题, 优化胶体结构	A3	YJH	20220623
3					



USB TYPE-C PIN ASSIGNMENTS

PIN NUMBER	SIGNAL NAME	PIN NUMBER	SIGNAL NAME
A1	GND	B12	GND
A4	VBUS	B9	VBUS
A5	CC1	B7	Dn2
A6	Dp1	B6	Dp2
A7	Dn1	B5	CC2
A9	VBUS	B4	VBUS
A12	GND	B1	GND

RECOMMENDED PCB LAYOUT(TOP VIEW)  
THICKNESS 1.0~1.2±0.10MM;DEFAULT TOLERANCE:±0.05

产品客户图 Customer Drw		GLGNET® 深圳市方向电子股份有限公司 SHEN ZHEN GLGNET ELECTRONICS CO.,LTD.			
未注公差 TOLERANCE UNLESS OTHERWISE SPECIFIED	X ±0.35 .X ±0.25 .XX ±0.15 X* ±3°	设计 DESIGN	YJH	20220623	品名 TITLE USB-UP-DIP90-M-C20-14P-A-00
比例 SCALE	1:1	角法 PROJ.	设计 DESIGN	YJH	20220623
张数 SHEET	2/2	大小 SIZE	A4	校对 CHECKED	料号 ITEM NO. 08602-00JXX9
单位 UNIT	mm	版本 REV.	A3	核准 APPROVED	图号 DWG NO. GLG-WC-257