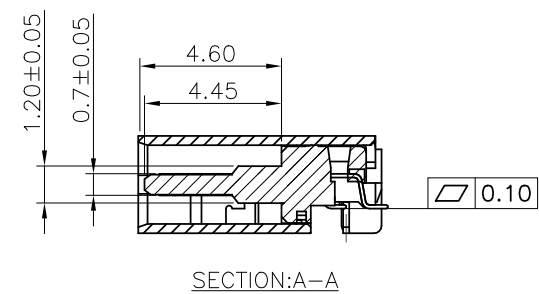
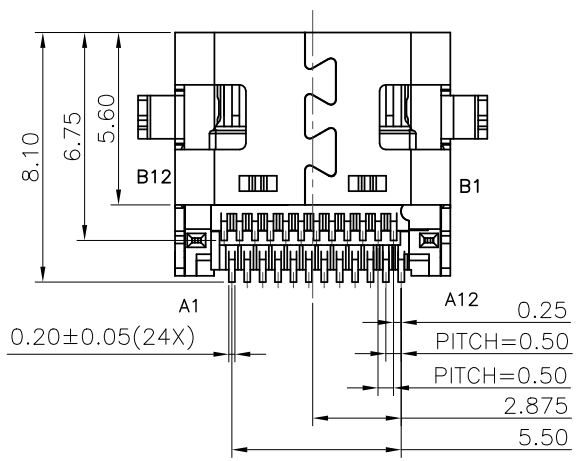
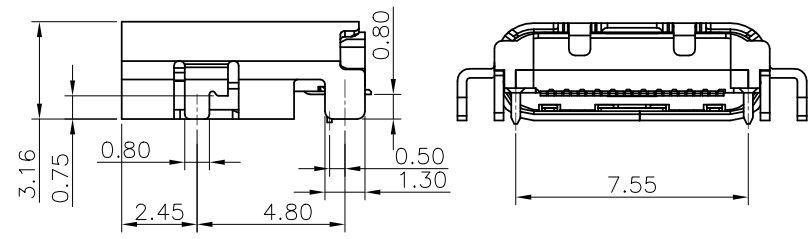
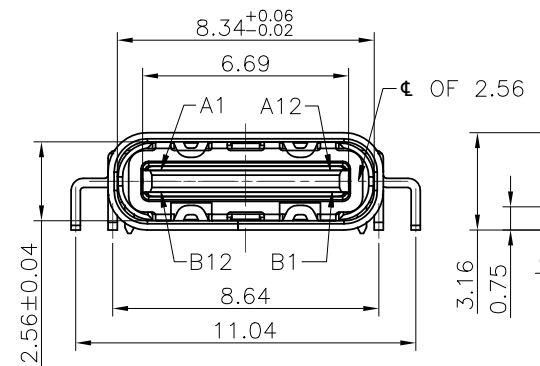
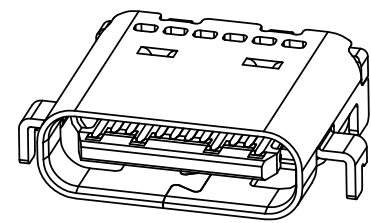
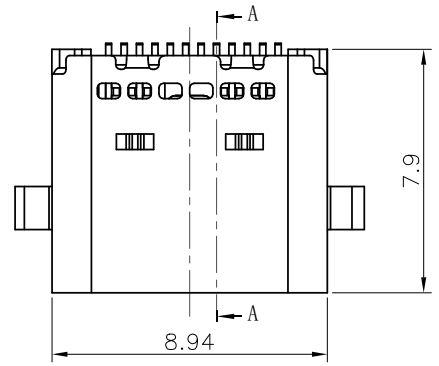


NO.	ECN NO.	DESCRIPTION	REV.	DRAW	DATE
1					
2					
3					



NOTE:

- MATERIAL SPECIFICATION:
 - HOUSING: LCP, UL94 V-0 BLACK;
 - CONTACTS: COPPER ALLOY;
 - MID PLATE: STAINLESS STEEL;
 - FRONT SHELL: STAINLESS STEEL;
- PLATING SPECIFICATION:
 - CONTACTS:
 - Ni 50u" MIN. UNDER PLATED OVER ALL.
 - Au PLATED ON THE FUNCTIONAL AREA OF CONTACT. (GOLD PLATING THICKNESS FOLLOW THE P/N)
 - PLATING SPECIFICATIONS OF THE SOLDER AREA FOLLOW THE P/N
 - FRONT SHELL:
 - Ni 50u" MIN. UNDER PLATED OVER ALL.
 - MID PLATE & EMI PLATE:
 - CLEAR ONLY
- MECHANICAL PERFORMANCE,
 - INSERTION FORCE: 0.5~2.0kgf.
 - REMOVAL FORCE: 0.8kgf~2.0kgf.
 - DURABILITY: 10000 CYCLES.
- ELECTRICAL PERFORMANCE,
 - CURRENT RATING: 5A
VOLTAGE RATING: 30V
 - LLCR:
 - VBUS & GND PINS AND OTHER PINS: 40mA/PIN MAX.
 - SHIELD: 50mA/MAX.
 - LLCR MAX. CHANGE OF ALL PINS: 10mA.
 - INSULATION RESISTANCE: 100MΩ MIN
 - DIELECTRIC WITHSTAND VOLTAGE, AC 100V FOR 1 MINUTE.
- ENVIRONMENTAL PERFORMANCE:
 - OPERATING TEMPERATURE: -25°C~+85°C.

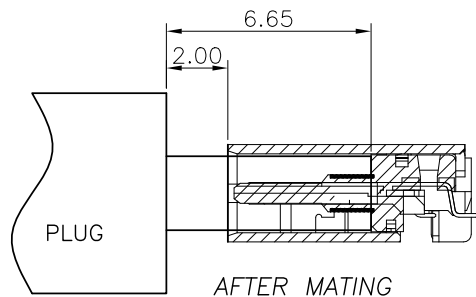
08613- 00 J XX 9

- RoHS COMPLIANT.
- PLATING CODE:
 - 05:G/F; 11: Au3u", 23: Au30u"
- PLATING SPECIFICATION:
 - J: HALF THE GOLD NI
- TYPE SERIAL NUMBER
- PRODUCT SERIAL NUMBER
- USB TYPE

产品客户图 Customer Drw		比例 SCALE		张数 SHEET		单位 UNIT		设计 DESIGN		校对 CHECKED		核准 APPROVED		品名 TITLE		料号 ITEM NO.		图号 DWG NO.	
未注公差 TOLERANCE UNLESS OTHERWISE SPECIFIED	.X ±0.35 .XX ±0.25 .XXX ±0.15 X° ±2°	1:1	角法 PROJ.	1/2	大小 SIZE	mm	版本 REV.	设计 DESIGN	校对 CHECKED	核准 APPROVED	品名 TITLE	料号 ITEM NO.	图号 DWG NO.	USB-SMT90-M-C30-24P-F-00	08613-00J119	GLG-WC-XXX			

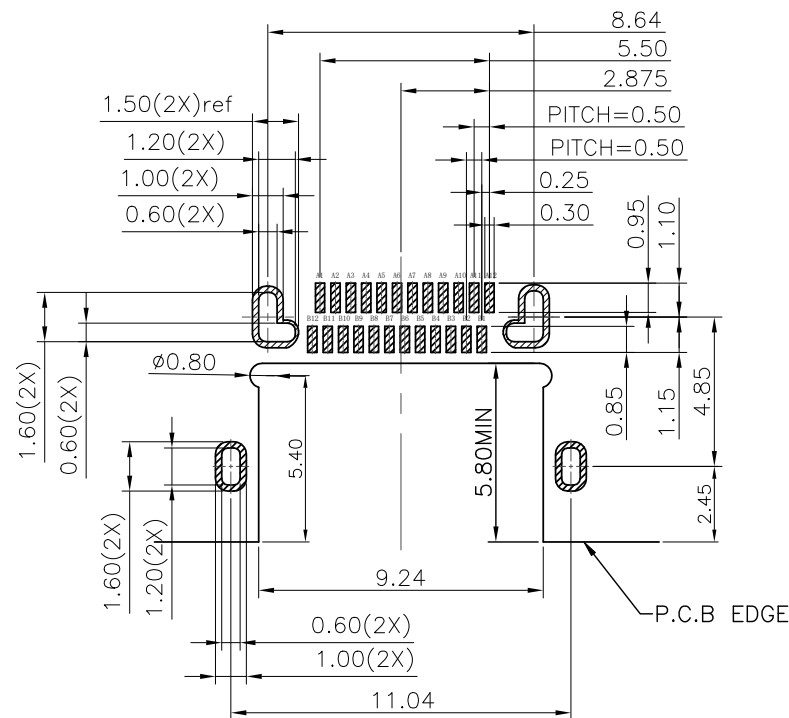
GLGNET 深圳市方向电子股份有限公司
SHEN ZHEN GLGNET ELECTRONICS CO., LTD.

NO.	ECN NO.	DESCRIPTION	REV.	DRAW	DATE
1					
2					
3					



USB TYPE-C PIN ASSIGNMENTS

PIN NUMBER	SIGNAL NAME	PIN NUMBER	SIGNAL NAME
A1	GND	B12	GND
A2	SSTXp1	B11	SSRXp1
A3	SSTXn1	B10	SSRXn1
A4	Vbus	B9	VBUS
A5	CC1	B8	SBU2
A6	Dp1	B7	Dn2
A7	Dn1	B6	Dp2
A8	SBU1	B5	CC2
A9	VBUS	B4	Vbus
A10	SSRXn2	B3	SSTXn2
A11	SSRXp2	B2	SSTXp2
A12	GND	B1	GND



RECOMMENDED PCB LAYOUT(TOP VIEW)
THICKNESS 0.60MM;DEFAULT TOLERANCE:±0.05

产品客户图 Customer Drw		GLGNET		® 深圳市方向电子股份有限公司 SHEN ZHEN GLGNET ELECTRONICS CO., LTD.	
未注公差 TOLERANCE UNLESS OTHERWISE SPECIFIED	.X .XX .XXX X°	±0.35 ±0.25 ±0.15 ±2°	设计 DESIGN	品名 TITLE	USB-SMT90-M-C30-24P -F-00
比例 SCALE	1:1	角法 PROJ.	设计 DESIGN	料号 ITEM NO.	08613-00J119
张数 SHEET	2/2	大小 SIZE	校对 CHECKED	图号 DWG NO.	GLG-WC-XXX
单位 UNIT	mm	版本 REV.	核准 APPROVED		