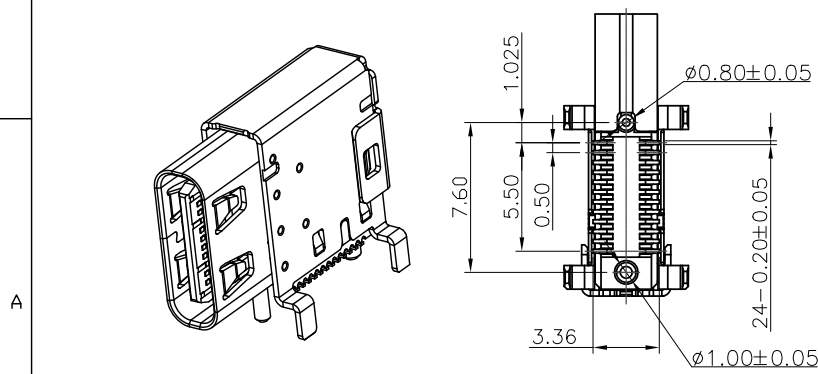
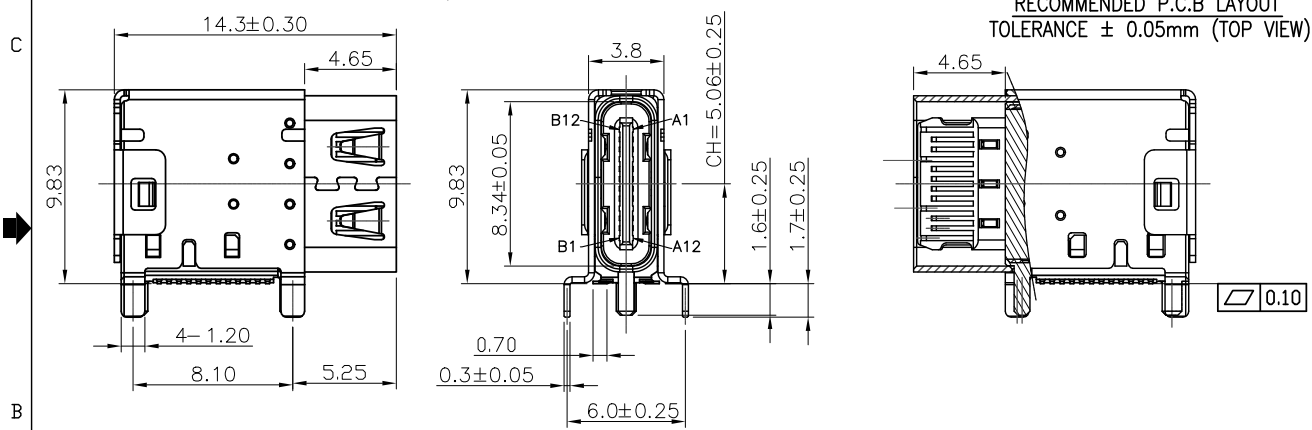
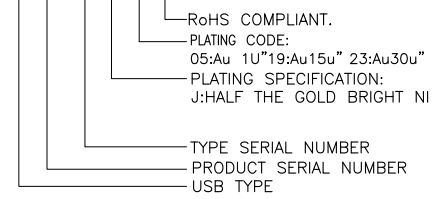


RECOMMENDED P.C.B LAYOUT
TOLERANCE ± 0.05mm (TOP VIEW)



NO.	ECN NO.	DESCRIPTION	REV.	DRAW	DATE
1					
2					
3					

- NOTES:
- MATERIAL SPECIFICATION:
 - 1-1.HOUSING: HIGH TEMPERATURE PLASTIC LCP BLACK.
 - 1-2.CONTACTS: COPPER ALLOY T=0.15mm .
 - 1-3.SHELL: STAINLESS STEEL T=0.30mm .
 - 1-4.MID PLATE: STAINLESS STEEL T=0.15mm .
 - PLATING SPECIFICATION:
 - 2-1.CONTACTS:
 - 50u"Ni UNDERPLATED OVER ALL.
 - Au 1u" MIN PLATED ON THE FUNCTIONAL AREA OF CONTACT
 - SOLDER AREA PLATED GOLD
 - 2-2.SHELL/EMI PLATE:
 - Ni 50u" PLATED OVER ALL.
 - 2-3.MID PLATE:
 - Ni 50u" PLATED OVER ALL
 - MECHANICAL PERFORMANCE:
 - 3-1. MATING FORCE: 0.5~2.0Kgf.
 - 3-2. UNMATING FORCE: 0.8~2.0Kgf(1~1000CYCLES).
 - 3-3. UNMATING FORCE: 0.6~2.0Kgf(1001~10000CYCLES).
 - 3-4. DURABILITY: 10000 CYCLES.
 - ELECTRICAL PERFORMANCE:
 - 4-1. CURRENT RATING:V-BUS PINS 5A,GND PINS 1.25A, OTHER PINS 0.25A.
 - VOLTAGE RATING:5V
 - 4-2. LLCR:
 - VBUS & GND PINS: 40mΩ/PIN MAX.
 - OTHER PINS: 50mΩ/PIN MAX.
 - LLCR MAX. CHANGE OF ALL PINS: 10mΩ.
 - 4-3. INSULATION RESISTANCE: 100MΩ MIN.
 - ENVIRONMENTAL PERFORMANCE:
 - OPERATING TEMPERATURE: -40°C~+85°C.
 - RECOMMENDED PROCESS:
 - THE PEAK TEMPERATURE ON THE BOARD SHALL MAINTAIN 10 SECONDS AT 260±5°C.
 - PART NUMBER NOTE:
 - 08631-00 J XX 9



PIN ASSIGNMENT:

PIN	Signal Name	PIN	Signal Name
A1	GND	B12	GND
A2	SSTXp1	B11	SSRXp1
A3	SSTXn1	B10	SSRXn1
A4	Vbus	B9	Vbus
A5	CC1	B8	SBU2
A6	Dp1	B7	DN2
A7	Dn1	B6	DP2
A8	SBU1	B5	CC2
A9	Vbus	B4	Vbus
A10	SSRXn2	B3	SSTXn2
A11	SSRXp2	B2	SSTXp2
A12	GND	B1	GND

产品客户图		Customer Drw	
未注公差 TOLERANCE UNLESS OTHERWISE SPECIFIED	X	±0.45	
	.X	±0.35	
	.XX	±0.25	
X*	±3°		
比例 SCALE	1:1	角法 PROJ.	
张数 SHEET	1/1	大小 SIZE	A4
单位 UNIT	mm	版本 REV.	A0

GLGNET 深圳市方向电子股份有限公司
SHEN ZHEN GLGNET ELECTRONICS CO., LTD.

设计 DESIGN	胡国亮	20220901	品名 TITLE	USB-UP-DIP90-M-C30-24P-A-00
校对 CHECKED			料号 ITEM NO.	140090-00111 (08631-00J059)
核准 APPROVED			图号 DWG NO.	GLG-140090