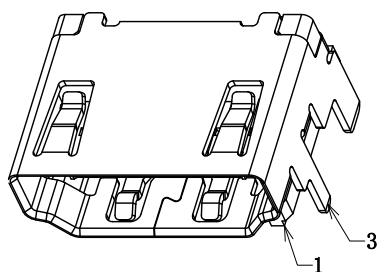
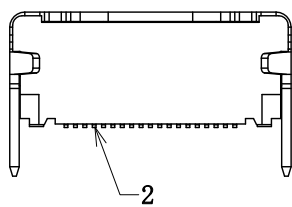
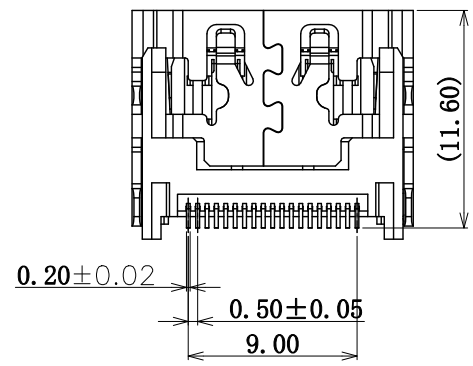
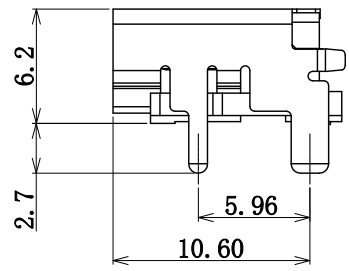
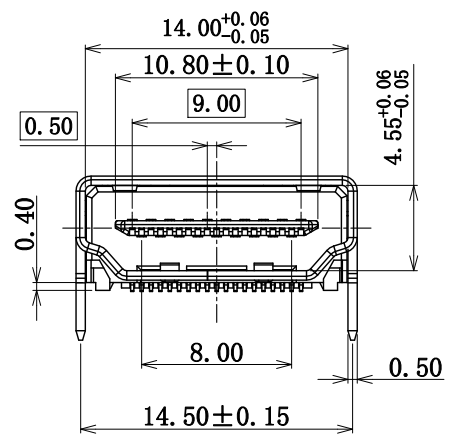
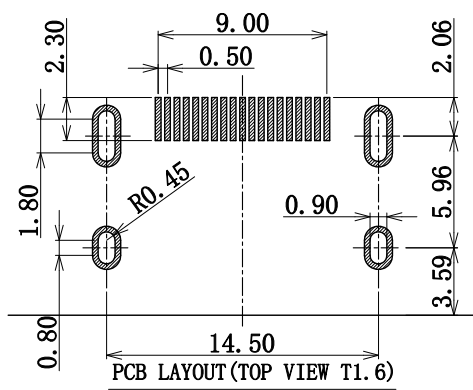
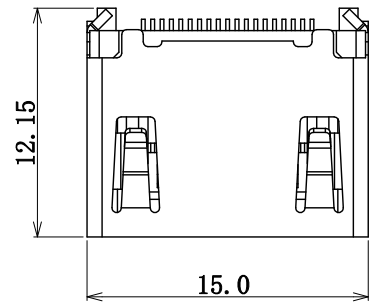


NO.	ECN NO.	DESCRIPTION	REV.	DRAW	DATE
1					
2					
3					



**NOTES:**

- 1.) MATERIAL:
  - 1-1. HOUSING:LCP,UL 94V-0,COLOR:BLACK;
  - 1-2. CONTACT:C2680 T=0.20;
  - 1-3. SHELL:C2680 T=0.50;
- 2.) FINISH:
  - 2-1. CONTACT: Au See CODE PLATING ON CONTACT AREA, MATTE PURE Sn . PLATING ON SOLDERTAILS. Ni UNDERPLATING OVERALL;
  - 2-2. SHELL: PLATING NI 50U"MIN
- 3.) SPECIFICATIONS:
  - 3-1. VOLTAGE RATING: 40V
  - 3-2. CURRENT RATING: 0.5A
  - 3-3. INSULATION RESISTANCE: 100MEG.OHM MIN
  - 3-4. CONTACT RESISTANCE: 30MILL.OHM MAX
  - 3-5. OPERATION TEMPERATURE: -20° TO +85°
  - 3-6. INSERT FORCE: 44.1N MAX
  - 3-7. EXTRACT FORCE: 9.8~44.1N
  - 3-8. DURABILITY: 10000 CYCLES

2 5 0 2 1-0 X X X X 9

规格流水码  
 电镀规格  
 M-半金雾锡  
 S-半金亮锡

电镀代码  
 -05-Au Fu"  
 -11-Au3u"  
 -19-Au15u"

产品客户图 Customer Drw				设计 DESIGN		品名 TITLE	
未注公差 TOLERANCE UNLESS OTHERWISE SPECIFIED	.X ±0.35 .XX ±0.25 .XXX ±0.15 X° ±2°	<b>GLGNET</b>		© 深圳市方向电子股份有限公司 SHEN ZHEN GLGNET ELECTRONICS CO.,LTD.		HDMI-SMT90-M-19P-C21-00	
比例 SCALE	1:1	角法 PROJ.	设计 CHECKED			料号 ITEM NO.	25021-00XXX9
张数 SHEET	1/1	大小 SIZE	A4	校对			图号 DWG NO.
单位 UNIT	mm	版本 REV.	A0	核准 APPROVED			GLG-DQT-XXX