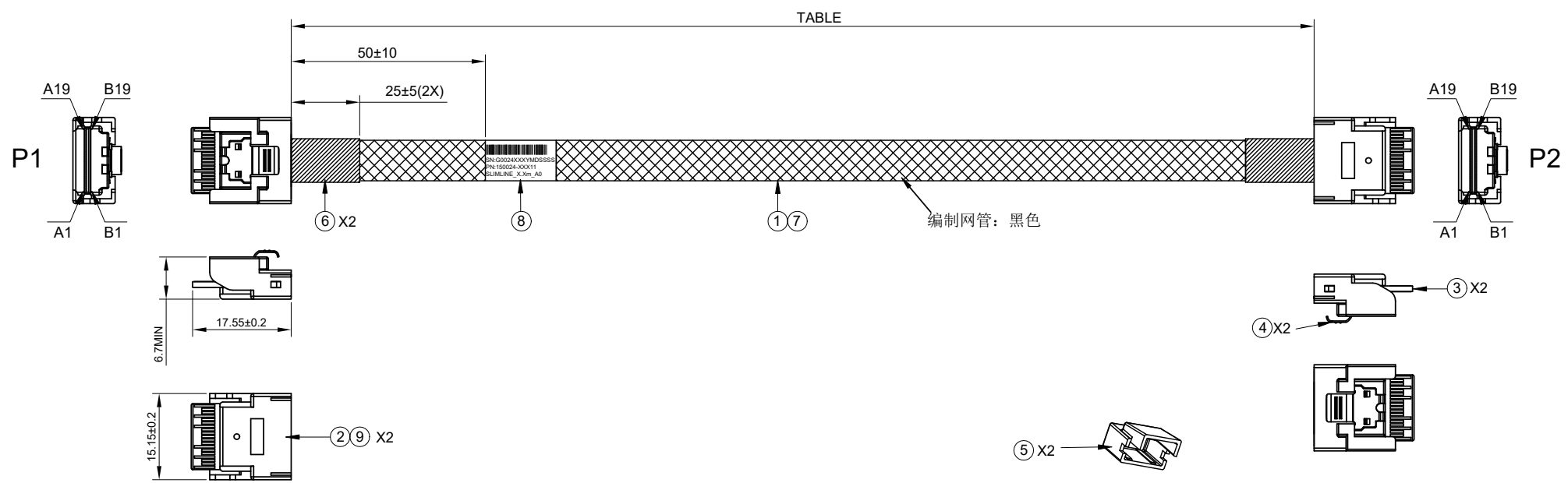


NO.	ECN NO.	DESCRIPTION	REV.	DRAW	DATE
1	NA	NEW DRAWING	A0	Yao Chen	2022/12/27
2					



- TEST CONDITIONS:
- 100% OPEN & SHORT & MISS-WIRING & INTERMITTENCE TEST.
 - CONDUCTIVE RESISTANCE: 3Ω MAX.
 - INSULATION RESISTANCE: 10 MΩ.
 - HI-POT TEST: 300VDC FOR 10ms.
 - THE PRODUCT MUST MEET SAS 4.0 SPECIFICATIONS.

TABLE					
85 Ω P/N	AWG	LENGTH(mm)	100 Ω P/N	AWG	LENGTH(mm)
150024-23211	31AWG	1000±15	150024-23111	31AWG	1000±15
150024-13811	31AWG	750±15	150024-13411	31AWG	500±10
150024-13711	31AWG	500±10	150024-13311	31AWG	750±15
150024-13611	31AWG	300±10	150024-13211	31AWG	300±10
150024-13511	31AWG	150±10	150024-13111	31AWG	150±10

ITEM	NAME	DESCRIPTION	Q'TY	UNIT
(9)	INNER MOLD	INNER MOLDING FOR SFF-8654 4X STR, BLACK	A/R	KG
(8)	LABEL	WHITE LABEL,60*30MM(REF)	1	PCS
(7)	WEAVE	PLASRIC BRAID SLEEVE, PET, BLACK, OD:8.0MM	A/R	MM
(6)	ACETATE TAPE	ACETATER TAPE, W=25MM, BLACK	A/R	MM
(5)	DUST CAP	DUST CAP FOR SFF-8654 4X,PE, NATURAL	2	PCS
(4)	LATCH	LATCH FOR SLIMSAS 4X STR, SUS304 3/4H, 0.25MM	2	PCS
(3)	PCB	PCB FOR SLIMSAS 4X, 38PIN, AU30*, 85 OR 100Ω	2	PCS
(2)	HOUSING	SLIMSAS 4X STR CABLE PIUG, V0	2	PCS
(1)	SAS CABLE	SAS CABLE, [31AWG*2C+2D]+AM, FOIL COLOR SLIVER,85 OR 100Ω	A/R	MM

产品客户图 Customer Drw

未注公差 TOLERANCE UNLESS OTHERWISE SPECIFIED	.X	±0.30
	.XX	±0.20
	.XXX	±0.10
	.X°	±2°

比例 SCALE NA 角法 PROJ.

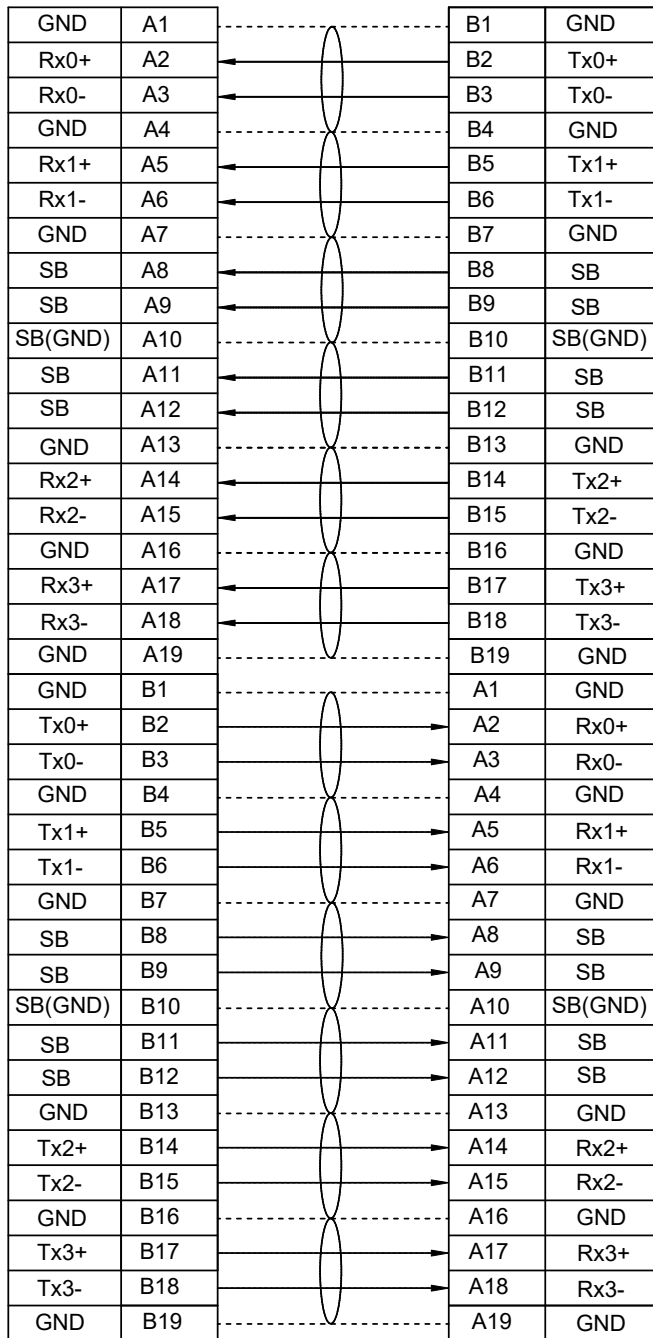
设计 DESIGN Yao Chen 2022/12/27 品名 TITLE Slimline 4X TO Slimline 4X STR CABLE ASSEMBLY,RoHS

校对 CHECKED Peter.Pan 2022/12/27 料号 ITEM NO. SEE TABLE

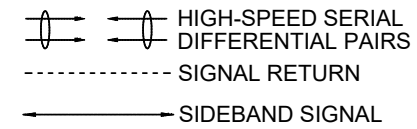
核准 APPROVED Stone.Li 2022/12/27 图号 DWG NO. GLG-WX-150024

GLGNET® 深圳市方向电子股份有限公司
SHEN ZHEN GLGNET ELECTRONICS CO.,LTD.

WIRING TABLE



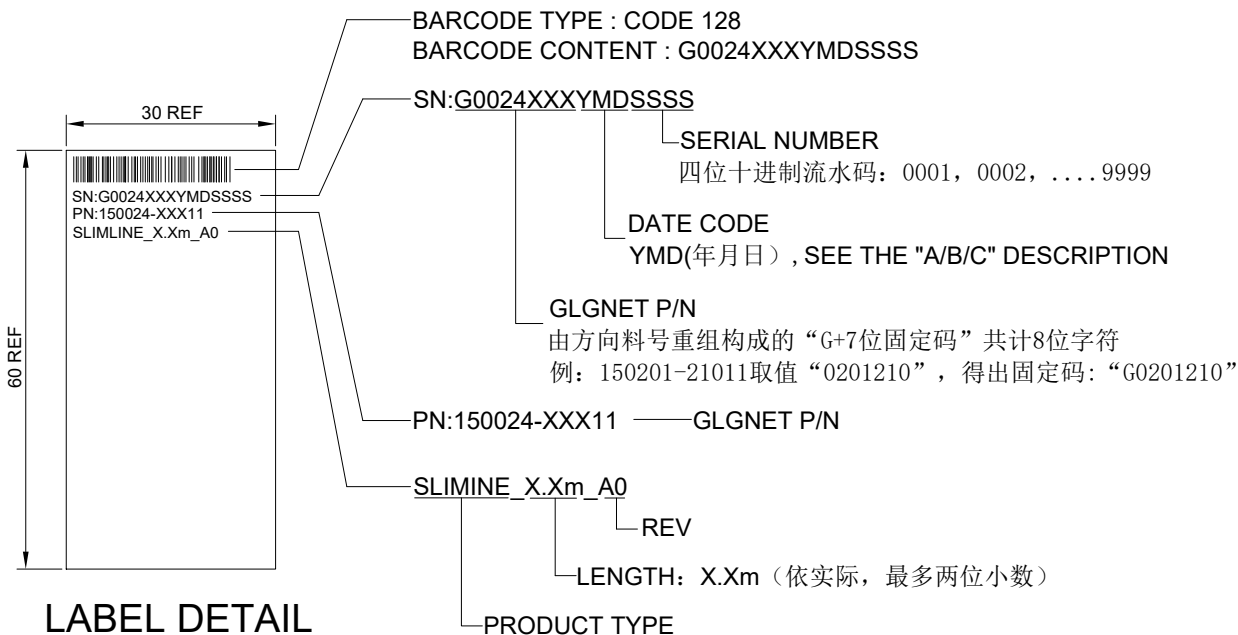
NO.	ECN NO.	DESCRIPTION	REV.	DRAW	DATE
1	NA	NEW DRAWING	A0	Yao Chen	2022/12/27
2					



NOTE: 8/9/10/11/12为PCB低速PIN, 使用高速差分SAS线焊接配合

产品客户图 Customer Drw				GLGNET® 深圳市方向电子股份有限公司 SHEN ZHEN GLGNET ELECTRONICS CO., LTD.				
未注公差 TOLERANCE UNLESS OTHERWISE SPECIFIED	.X	±0.30		设计 DESIGN	Yao Chen	2022/12/27	品名 TITLE	Slimline 4X TO Slimline 4X STR CABLE ASSEMBLY, RoHS
	.XX	±0.20		校对 CHECKED	Peter.Pan	2022/12/27	料号 ITEM NO.	SEE TABLE
	.XXX	±0.10		核准 APPROVED	Stone.Li	2022/12/27	图号 DWG NO.	GLG-WX-150024
	.X°	±2°		比例 SCALE	NA	角法 PROJ.		张数 SHEET
单位 SCALE	mm	版本 REV	A0					

NO.	ECN NO.	DESCRIPTION	REV.	DRAW	DATE
1	NA	NEW DRAWING	A0	Yao Chen	2022/12/27
2					



A:Year code rule table/年编码规则表:

Year code 年份代码	0	1	2	3	4	5	6	7	8	9
Year 年份	2020	2021	2022	2023	2024	2025	2026	2027	2028	2029

B:Month code rule table/月编码规则表:

Month code 月份代码	1	2	3	4	5	6	7	8	9	A	B	C
Month 月份	1	2	3	4	5	6	7	8	9	10	11	12

C:Day code rule table/日编码规则表:

Day code 日期代码	1	2	3	4	5	6	7	8	9	A	B	C	D	E	F	G
Day 日期	1	2	3	4	5	6	7	8	9	10	11	12	13	14	15	16
Day code 日期代码	H	J	K	L	M	N	P	Q	R	S	T	U	V	W	X	
Day 日期	17	18	19	20	21	22	23	24	25	26	27	28	29	30	31	

LABEL DETAIL

NOTE:

- 1.FONT: ARIAL
- 2.FONT HIGHT: 2mm
- 3.BARCODE HIGHT: 5mm

产品客户图 Customer Drw			GLGNET® 深圳市方向电子股份有限公司 SHEN ZHEN GLGNET ELECTRONICS CO.,LTD.									
未注公差 TOLERANCE UNLESS OTHERWISE SPECIFIED	.X .XX .XXX .X°	±0.30 ±0.20 ±0.10 ±2°	比例 SCALE	NA	角法 PROJ.		设计 DESIGN	Yao Chen	2022/12/27	品名 TITLE	Slimline 4X TO Slimline 4X STR CABLE ASSEMBLY,RoHS	
张数 SHEET	3/3	大小 SIZE	A4	校对 CHECKED	Peter.Pan	2022/12/27	料号 ITEM NO.	SEE TABLE				
单位 SCALE	mm	版本 REV	A0	核准 APPROVED	Stone.Li	2022/12/27	图号 DWG NO.	GLG-WX-150024				