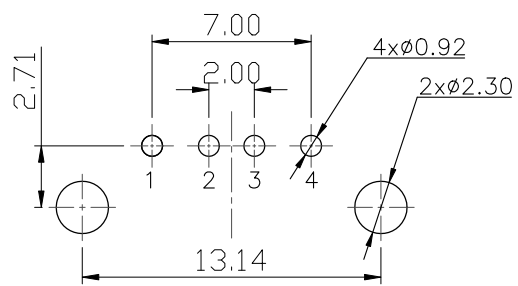
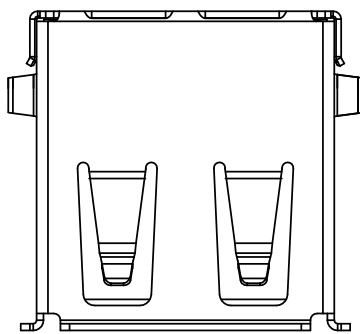
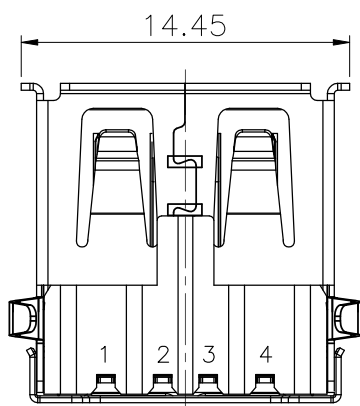
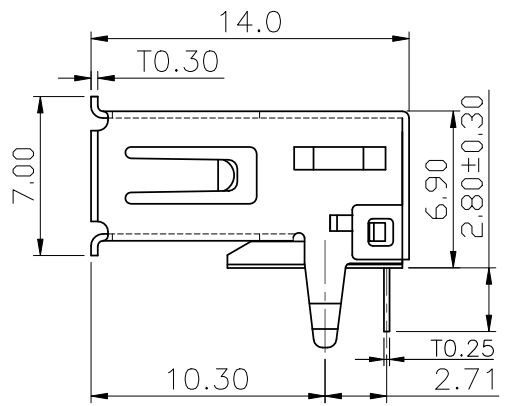
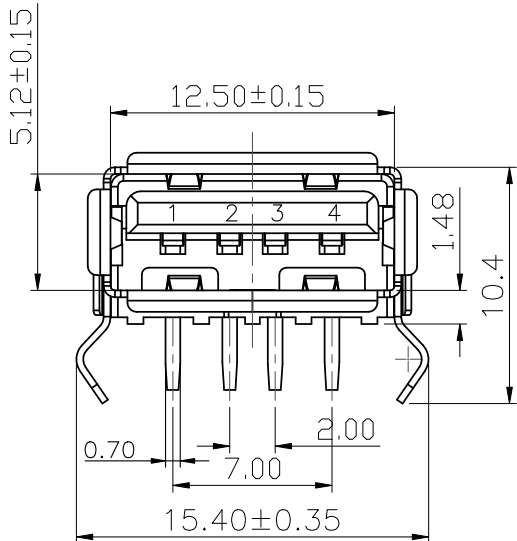


NO.	ECN NO.	DESCRIPTION	REV.	DRAW	DATE
1					
2					
3					



RECOMMENDED P. C. B LAYOUTTOP VIEW
(COMPONENT SIDE) T=1.20~2.0±0.05mm
TOLERANCE±0.05



- MATERIAL SPECIFICATION:
 - 1-1.HOUSING:LCP; UL94 V-0 WHITE .
 - 1-2.CONTACTS: COPPER ALLOY T=0.25mm.
 - 1-3.SHELL: BRASS T=0.30mm.
- PLATING SPECIFICATION:
 - 2-1.CONTACTS:
 - Ni 50u" MIN. UNDER PLATED OVERALL.
 - Au G/F PLATED ON THE FUNCTIONAL AREA OF CONTACT,80u" MIN TIN PLATED ON SOLDER AREA.
 - 2-2.SHELL:
 - Ni 30u" MIN. PLATED OVERALL.
- MECHANICAL PERFORMANCE,
 - 3-1.INSERTION FORCE: 35N MAX
 - 3-2.REMOVAL FORCE: 10N MIN
 - 3-3.DURABILITY: 1500 CYCLES.
- ELECTRICAL PERFORMANCE,
 - 4-1.INSULATION RESISTANCE: 1000MΩ MIN
 - 4-2.DIELECTRIC WITHSTAND VOLTAGE,AC 500V FOR 1 MINUTE.
- RoHS COMPLIANT.
- THT REFLOW:
 - THE PEAK TEMPERATURE ON THE BOARD SHALL BE MAINTAINED FOR 5 SECONDS AT 260±5°C.
- OPERATING TEMPERATURE:-40°C TO +85°C;
- STOCKPILE TEMPERATURE:-20°C TO +60°C

Pin Assignments

Pin Number	Signal Name
1	VBUS
2	D-
3	D+
4	GND
Shell	Shield

产品客户图 Customer Drw	
未注公差 TOLERANCE UNLESS OTHERWISE SPECIFIED	.X ±0.35 .XX ±0.25 .XXX ±0.15 X° ±2°
比例 SCALE	1:1
张数 SHEET	1/1
单位 UNIT	mm
角法 PROJ.	第一角法
大小 SIZE	A4
版本 REV.	A0

GLGNET® 深圳市方向电子股份有限公司
SHEN ZHEN GLGNET ELECTRONICS CO.,LTD.

设计 DESIGN		品名 TITLE	USB-A-M1-4P-04/90°
校对 CHECKED		料号 ITEM NO.	08022-04S059
核准 APPROVED		图号 DWG NO.	GLG-140008