

NO.	ECN NO.	DESCRIPTION	REV.	DRAW	DATE
1					
2					
3					

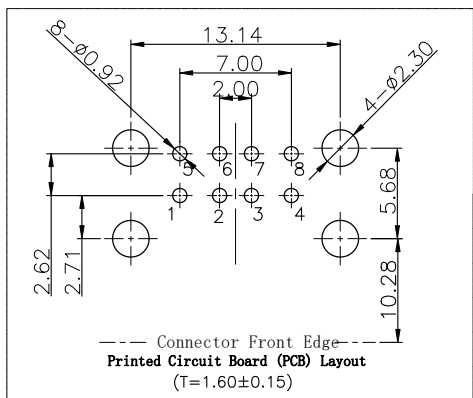
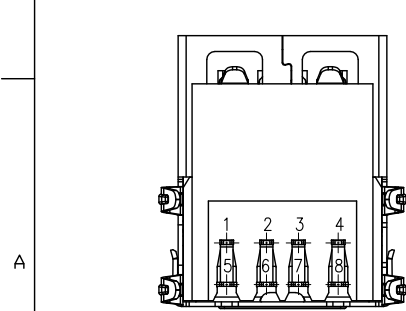
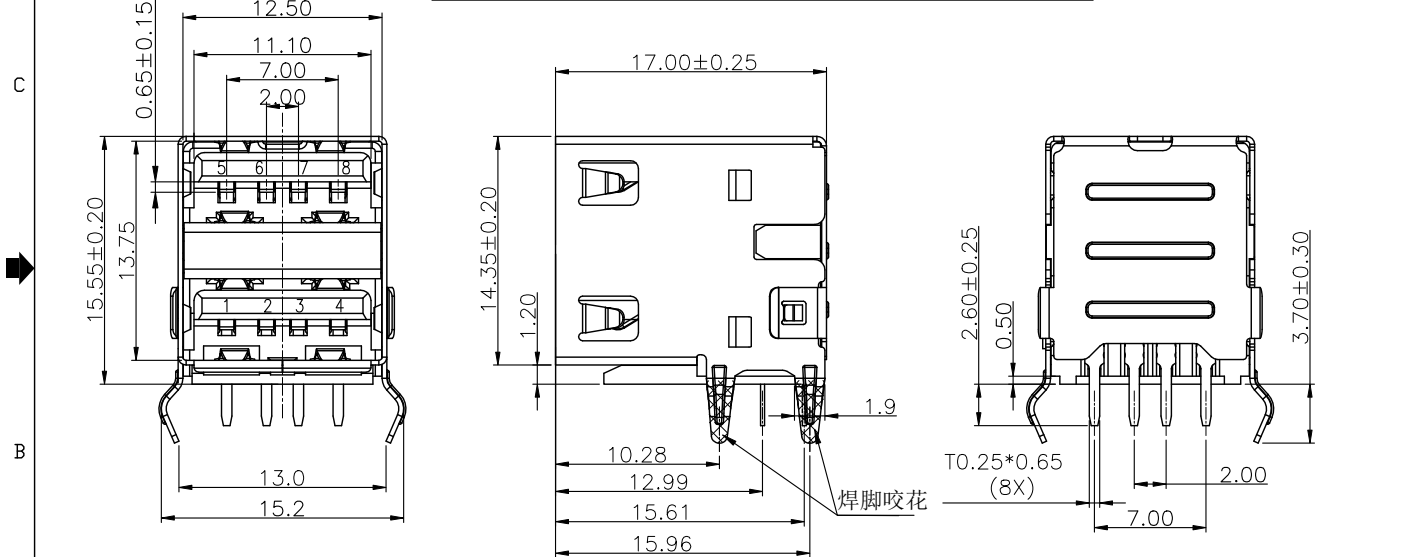
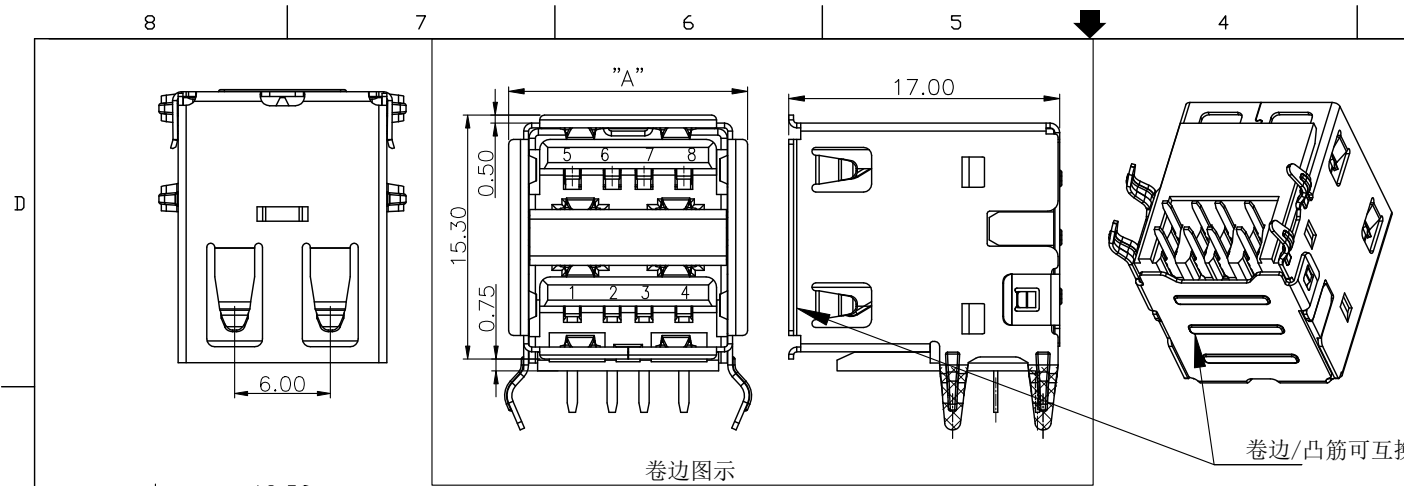
NOTES:

- MECHANICAL PERFORMANCE:
  - 1-1.INSERTION FORCE:35N MAX.
  - 1-2.REMOVAL FORCE:10N MIN.AFTER 8N MIN
  - 1-3.CURRENT RATING:1.5A
  - 1-4.VOLTAGE:30V
  - 1-5.DURABILITY:1500 CYCLES MIN.
  - 1-6.DIELECTRIC WITHSTAND VOLTAGE:500V AC MIN.
  - 1-7.LLCR:30MΩ MAX.INITIAL;40MΩ MAX
  - 1-8.INSULATION RESISTANCE:1000MΩ MIN
- MATERIAL/PLATING:
  - 2.1.HOUSING:PBT,UL94 V-0 BLACK.
  - 2.2.CONTACTS:C2680-H, NI 50U". UNDER PLATED OVERALL. AU PLATED ON THE FUNCTIONAL AREA OF CONTACT.100U" BRIGHT TIN PLATED ON SOLDER AREA.
  - 2.3.SHELL:SPCC,50U" NI PLATED ON.
  - 2.4.MIDDLE SPRING:SUS
- RoHS COMPLIANT.
- THT REFLOW:
 

THE PEAK TEMPERATURE ON THE BOARD SHALL BE MAINTAINED FOR 5 SECONDS AT 245±5°C.
- OPERATING TEMPERATURE:-40°C TO +85°C;
- STOCKPILE TEMPERATURE:-20°C TO +60°C
- PRODUCT NUMBER NOTE:

08 029-XX S XX X

- PLATING CODE: 05: Au G/F; 19: Au15u";
- PLATING SPECIFICATION: S: HALF THE GOLD BRIGHT TIN
- TYPE SERIAL NUMBER
- PRODUCT SERIAL NUMBER
- USB TYPE



Pin Number	Signal Name
1&5	VBUS
2&6	D-
3&7	D+
4&8	GND
Shell	Shield

USB-DIP90-2-M-2A-8P-C-02	08029-02SXX1/9	14.50	无凸筋	PBT_白色; TRAY.
USB-DIP90-2-M-2A-8P-C-01	08029-01SXX9	无卷边	有3个凸筋	PBT_黑色; TRAY.
USB-DIP90-2-M-2A-8P-C-00	08029-00SXX1/9	15.00		PBT_黑色; TRAY.
品名	料号	DIM"A"	后盖凸筋	规格

产品客户图 Customer Drw		未注公差 TOLERANCE UNLESS OTHERWISE SPECIFIED		比例 SCALE		角法 PROJ.		设计 DESIGN		品名 TITLE		料号 ITEM NO.		图号 DWG NO.	
.X	±0.35	1:1	角法 PROJ.	设计 DESIGN	HU G, L	品名 TITLE	USB-DIP90-2-M-2A-8P-C-XX	料号 ITEM NO.	08029-XXSXX9	图号 DWG NO.	GLG-WC-236				
.XX	±0.25	张数 SHEET	1/1	大小 SIZE	A4	核准 APPROVED									
.XXX	±0.15	单位 UNIT	mm	版本 REV.	A0										
X°	±2°														

**GLGNET** 深圳市方向电子股份有限公司  
SHEN ZHEN GLGNET ELECTRONICS CO., LTD.