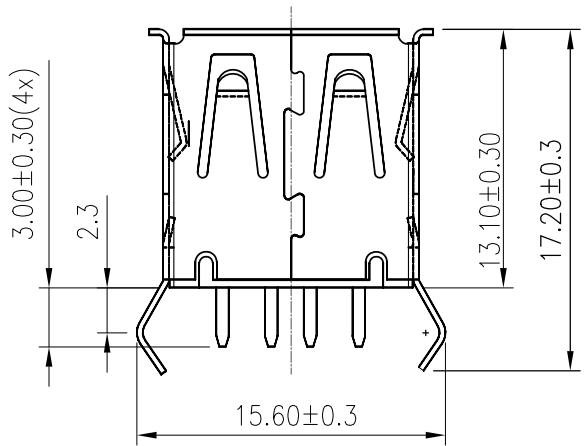
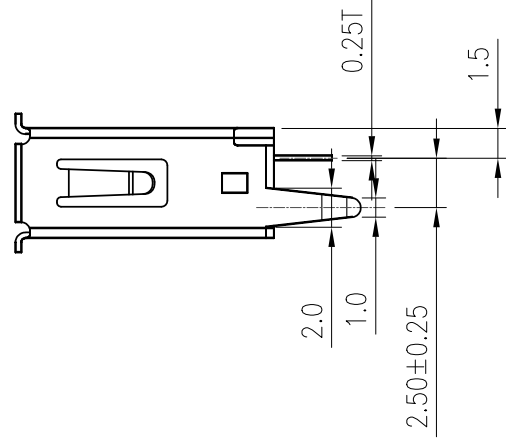
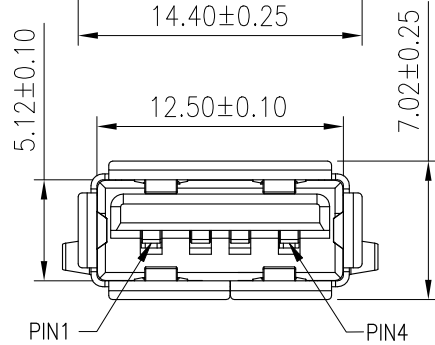
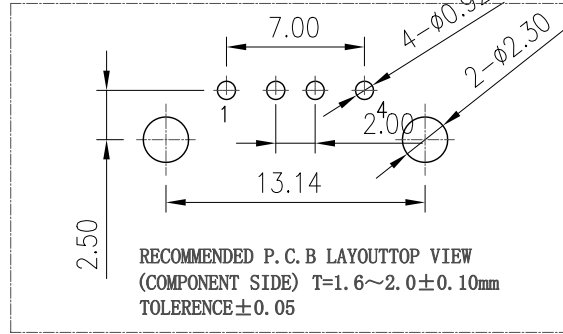
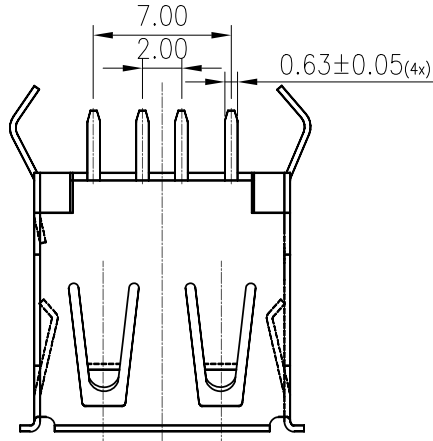


8 7 6 5 4 3 2 1

NO.	ECN NO.	DESCRIPTION	REV.	DRAW	DATE
1					
2					
3					



- MATERIAL SPECIFICATION:
  - HOUSING: PBT; UL94 V-0 BLACK.
  - CONTACTS: COPPER ALLOY C2680 T=0.25mm.
  - SHELL: SPCC T=0.30mm.
- PLATING SPECIFICATION:
  - CONTACTS:
    - Ni 50u" MIN. UNDER PLATED OVERALL.
    - Au(SEE PART NOTE) MIN PLATED ON THE FUNCTIONAL AREA OF CONTACT, 80u" MIN TIN PLATED ON SOLDER AREA.
  - SHELL:
    - Ni 30u" MIN. PLATED OVERALL.
- MECHANICAL PERFORMANCE,
  - INSERTION FORCE: 35N MAX
  - REMOVAL FORCE: 10N MIN
  - DURABILITY: 1500 CYCLES.
- ELECTRICAL PERFORMANCE,
  - INSULATION RESISTANCE: 1000MΩ MIN
  - DIELECTRIC WITHSTAND VOLTAGE, AC 500V FOR 1 MINUTE.
- CONFORM TO THE ASSOCIATION OF USB 2.0 SPECIFICATION
- RoHS COMPLIANT.
- THT REFLOW:
  - THE PEAK TEMPERATURE ON THE BOARD SHALL BE MAINTAINED FOR 5 SECONDS AT 245±5°
- OPERATING TEMPERATURE: -40°~+85°
- STOCKPILE TEMPERATURE: -20°~+60°
- PART NUMBER NOTE:
  - 08039-01 S XX 9

RoHS COMPLIANT.  
 PLATING CODE:  
 05: AuG/F",  
 PLATING SPECIFICATION:  
 S: HALF THE GOLD BRIGHT TIN  
 TYPE SERIAL NUMBER  
 PRODUCT SERIAL NUMBER  
 USB TYPE

Pin Assignments

Pin Number	Signal Name
1	VBUS
2	D-
3	D+
4	GND
Shell	Shield

产品客户图 Customer Drw	
未注公差 TOLERANCE UNLESS OTHERWISE SPECIFIED	X ±0.45 .X ±0.35 .XX ±0.25 X° ±3°
比例 SCALE	1:1
张数 SHEET	1/1
单位 UNIT	mm
角法 PROJ.	第一角法
大小 SIZE	A4
版本 REV.	B0

**GLGNET** 深圳市方向电子股份有限公司  
SHEN ZHEN GLGNET ELECTRONICS CO., LTD.

设计 DESIGN	品名 TITLE	USB-A-M3-4P-06-01
校对 CHECKED	料号 ITEM NO.	08039-01S059
核准 APPROVED	图号 DWG NO.	GLG-DWC-039

8 7 6 5 4 3 2 1