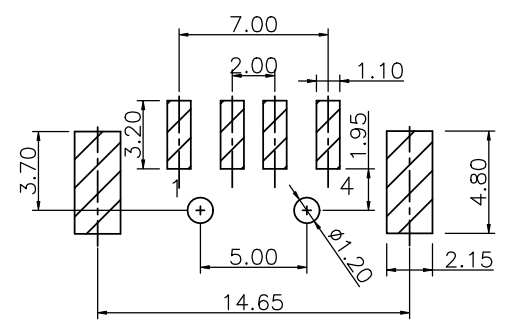
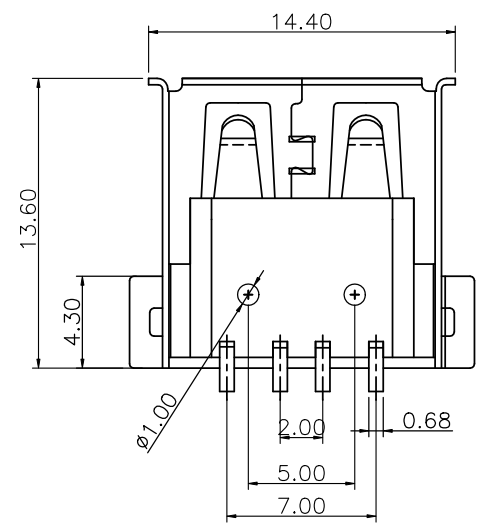
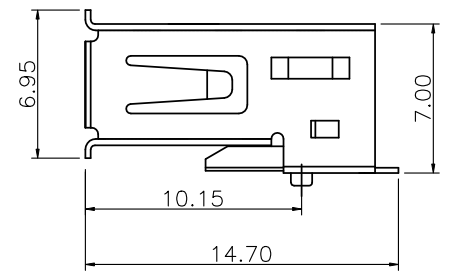
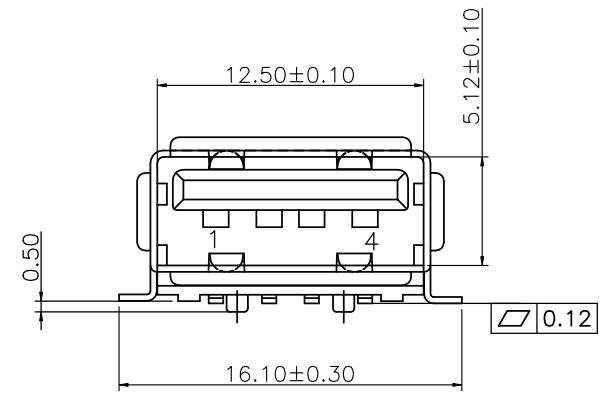


NO.	ECN NO.	DESCRIPTION	REV.	DRAW	DATE
1					
2					
3					



RECOMMENDED PCB LAYOUT(TOP VIEW)
DEFAULT TOLERANCE ± 0.05

- MATERIAL SPECIFICATION:
 - HOUSING: LCP; UL94 V-0 BLACK .
 - CONTACTS: COPPER ALLOY C2680 T=0.25mm.
 - SHELL: SPCC T=0.30mm.
- PLATING SPECIFICATION:
 - CONTACTS:
 - Ni . UNDER PLATED OVERALL.
 - Au(SEE PART NOTE)MIN PLATED ON THE FUNCTIONAL AREA OF CONTACT, TIN PLATED ON SOLDER AREA.
 - SHELL:
 - Ni PLATED OVERALL.
- MECHANICAL PERFORMANCE,
 - INSERTION FORCE: 35N MAX
 - REMOVAL FORCE: 10N MIN
 - DURABILITY: 1500 CYCLES.
- ELECTRICAL PERFORMANCE,
 - INSULATION RESISTANCE: 1000M Ω MIN
 - DIELECTRIC WITHSTAND VOLTAGE, AC 500V FOR 1 MINUTE.
- CONFORM TO THE ASSOCIATION OF USB 2.0 SPECIFICATION
- RoHS COMPLIANT.
- THT REFLOW:
 - THE PEAK TEMPERATURE ON THE BOARD SHALL BE MAINTAINED FOR 5 SECONDS AT 245 \pm 5 $^{\circ}$ C.
- OPERATING TEMPERATURE: -40 $^{\circ}$ C TO +85 $^{\circ}$ C;
- STOCKPILE TEMPERATURE: -20 $^{\circ}$ C TO +60 $^{\circ}$ C

10. PART NUMBER NOTE:
- 08145-00 S XX 9
- RoHS COMPLIANT.
 - PLATING CODE: 05: AuG/F,
 - PLATING SPECIFICATION: S: HALF THE GOLD BRIGHT TIN
 - TYPE SERIAL NUMBER
 - PRODUCT SERIAL NUMBER
 - USB TYPE

Pin Assignments

Pin Number	Signal Name
1	VBUS
2	D-
3	D+
4	GND
Shell	Shield

产品客户图 Customer Drw	
未注公差 TOLERANCE UNLESS OTHERWISE SPECIFIED	X ± 0.45 .X ± 0.35 .XX ± 0.25 X* $\pm 3^{\circ}$
比例 SCALE	1:1
张数 SHEET	1/2
单位 UNIT	mm
角法 PROJ.	第一角法
大小 SIZE	A4
版本 REV.	A0

GLGNET ® 深圳市方向电子股份有限公司 SHEN ZHEN GLGNET ELECTRONICS CO., LTD.		设计 DESIGN		品名 TITLE	USB-SMT90-M-2A-4P-F3-00
		校对 CHECKED		料号 ITEM NO.	08145-00S059
核准 APPROVED		图号 DWG NO.	GLG-WC-OXX		