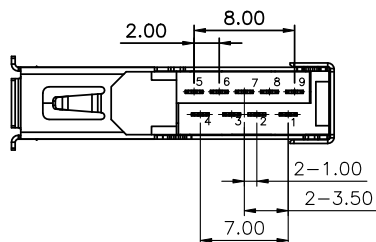
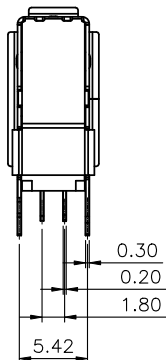
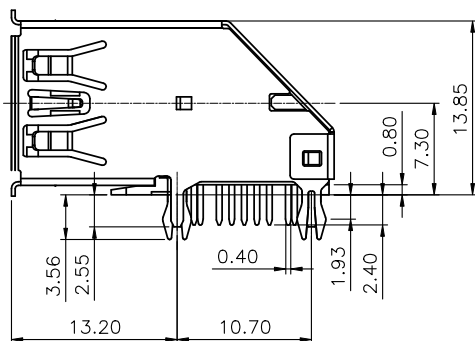
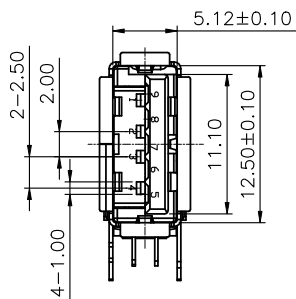
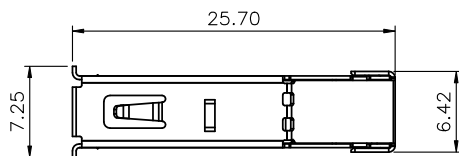
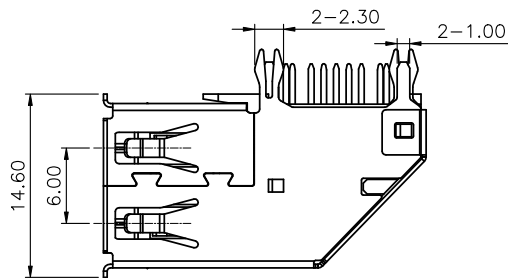


NO.	ECN NO.	DESCRIPTION	REV.	DRAW	DATE
1					
2					
3					



- MATERIAL SPECIFICATION:
 - HOUSING: PBT BLUE
 - 4P CONTACTS: PHOSPHOR BRONZE T=0.20mm.
 - 5P CONTACTS: PHOSPHOR BRONZE T=0.20mm.
 - SHELL: SUS T=0.30mm.
- PLATING SPECIFICATION:
 - CONTACTS:
 - GOLD PLATED IN CONTACT AREA: TIN PLATED
 - IN TERMINATION NICKEL PLATED OVERALL
- MECHANICAL PERFORMANCE,
 - INSERTION FORCE: 35N MAX.
 - REMOVAL FORCE: 10 N. Min. 8N Min After Durability.
 - DURABILITY: 3000 CYCLES.
- ELECTRICAL PERFORMANCE,
 - INSULATION RESISTANCE: 100MΩ MIN
 - DIELECTRIC WITHSTAND VOLTAGE, AC 100V FOR 1 MINUTE.
 - CURRENT RATING: 1.8A
 - VOLTAGE: 30V
- CONFORM TO THE ASSOCIATION OF USB 3.0 SPECIFICATION
- THT REFLOW: THE PEAK TEMPERATURE ON THE BOARD SHALL BE MAINTAINED FOR 5 SECONDS AT /245° C.
- RoHS 2.0 COMPLIANT.
- OPERATING TEMPERATURE: -55° C TO +85° C
- STOCKPILE TEMPERATURE: -20° C TO +85° C

10. PART NUMBER NOTE:

08160-00 X XX 9

- PLATING CODE:
 - 05: AuG/F"
 - 23: Au30u"
- PLATING SPECIFICATION:
 - M: HALF THE GOLD MATTE TIN
- TYPE SERIAL NUMBER
- PRODUCT SERIAL NUMBER
- USB TYPE

Pin Assignments

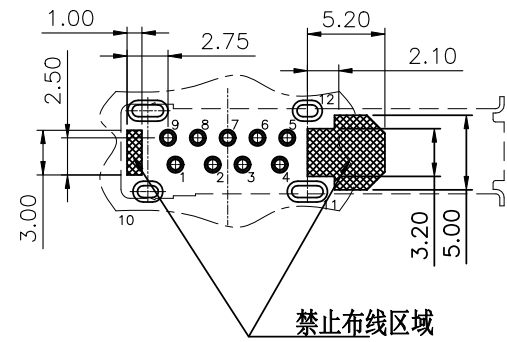
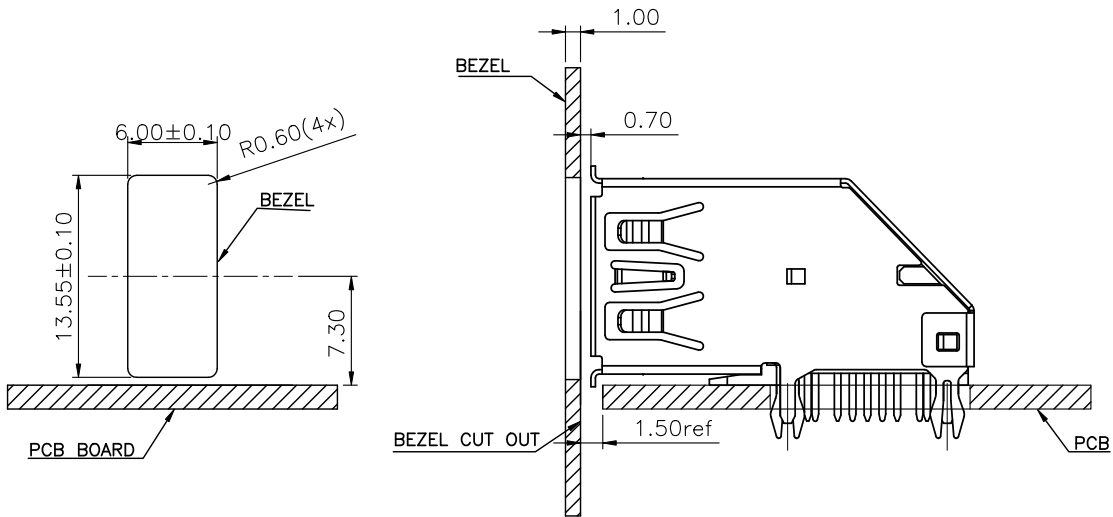
Pin Number	Signal Name	Pin Number	Signal Name
1	VBUS	5	SSRX-
2	D-	6	SSRX+
3	D+	7	GND
4	GND	8	SSTX-
Shell	Shield	9	SSTX+

产品客户图 Customer Drw		
未注公差	X	±0.45
TOLERANCE	.X	±0.35
UNLESS	.XX	±0.25
OTHERWISE	X°	±3°
SPECIFIED		

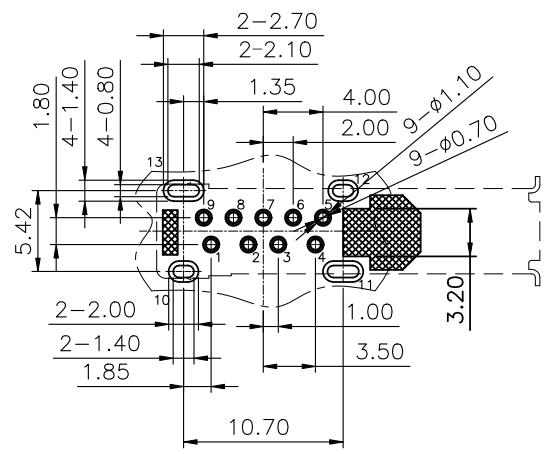
GLGNET® 深圳市方向电子股份有限公司
SHEN ZHEN GLGNET ELECTRONICS CO., LTD.

比例 SCALE	角法 PROJ.	设计 DESIGN	品名 TITLE	USB-UP-DIP90-M-3A-9P-D-00
1:1	角法 PROJ.	设计 DESIGN	品名 TITLE	USB-UP-DIP90-M-3A-9P-D-00
张数 SHEET	大小 SIZE	校对 CHECKED	料号 ITEM NO.	140129-00X11 (08160-00S059)
单位 UNIT	版本 REV.	核准 APPROVED	图号 DWG NO.	GLG-140129

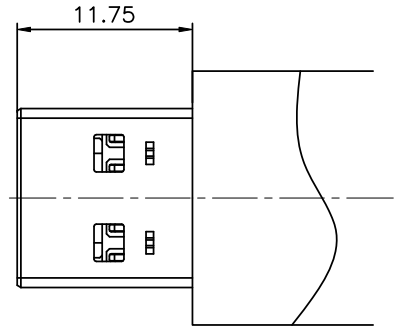
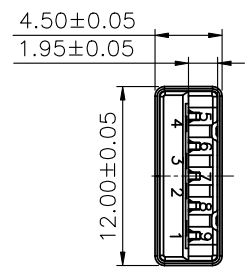
NO.	ECN NO.	DESCRIPTION	REV.	DRAW	DATE
1					
2					
3					



MOUNTING PANEL CUTOUT (INTERNAL SIDE)



RECOMMENDED P.C.B LAYOUT
TOP VIEW±0.05



Plug

产品客户图 Customer Drw		GLGNET® 深圳市方向电子股份有限公司 SHEN ZHEN GLGNET ELECTRONICS CO.,LTD.					
未注公差 TOLERANCE UNLESS OTHERWISE SPECIFIED	X .X .XX X°	±0.45 ±0.35 ±0.25 ±3°	设计 DESIGN	HU G,L	220427	品名 TITLE	USB-UP-DIP90-M-3A-9P-D-00
比例 SCALE	1:1	角法 PROJ.	设计 DESIGN	HU G,L	220427	料号 ITEM NO.	140129-0X111 (08160-00SXX9)
张数 SHEET	2/2	大小 SIZE	校对 CHECKED			图号 DWG NO.	GLG-140129
单位 UNIT	mm	版本 REV.	核准 APPROVED				