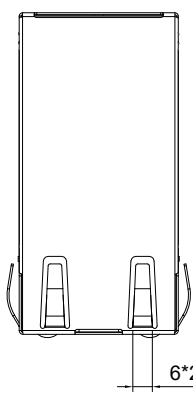
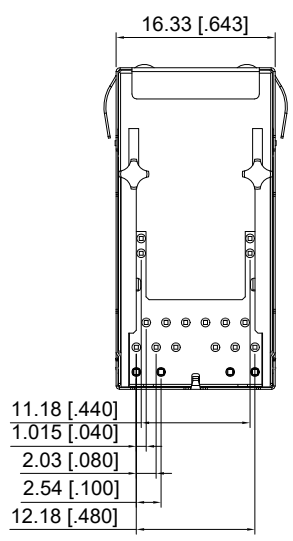
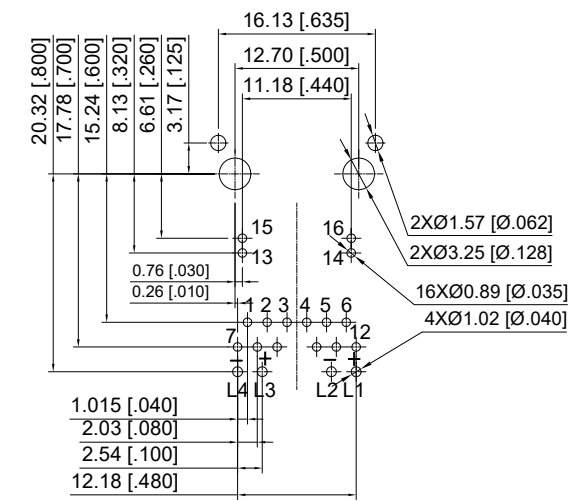
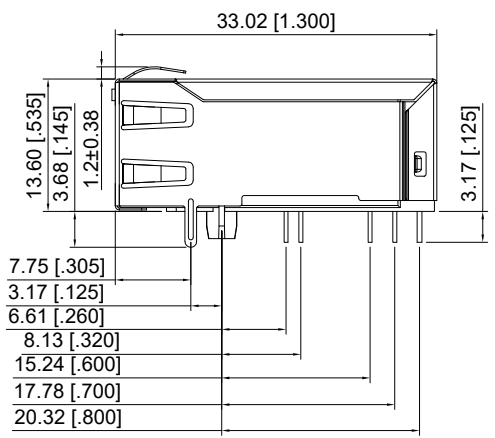
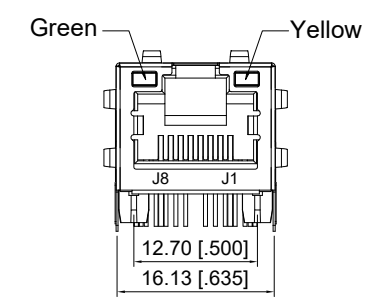


# Mechanical

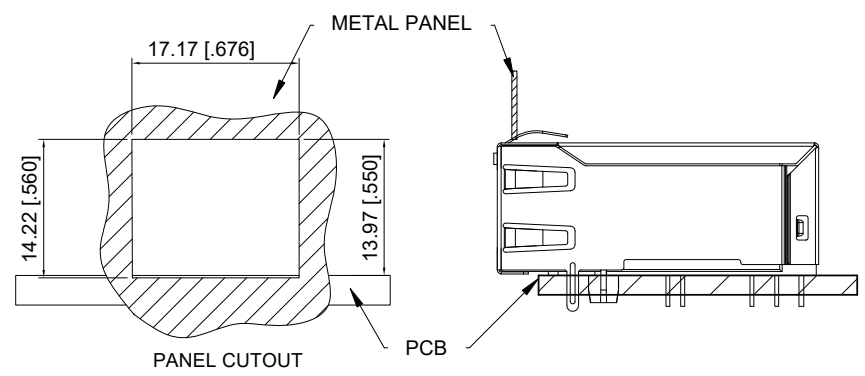
NO.	ECN NO.	DESCRIPTION	REV.	DRAW	DATE
1					
2					
3					



GoldPlating	Option
1.8μ"	<input type="checkbox"/>
3μ"	<input type="checkbox"/>
6μ"	<input type="checkbox"/>
15μ"	<input type="checkbox"/>
30μ"	<input checked="" type="checkbox"/>
50μ"	<input type="checkbox"/>

RECOMMENDED P.C.B LAYOUT  
TOP VIEW (COMPONENT SIDE)

Dimension Tolerance:  
All PCB LAYOUT  
Tolerance:±0.05[.002]



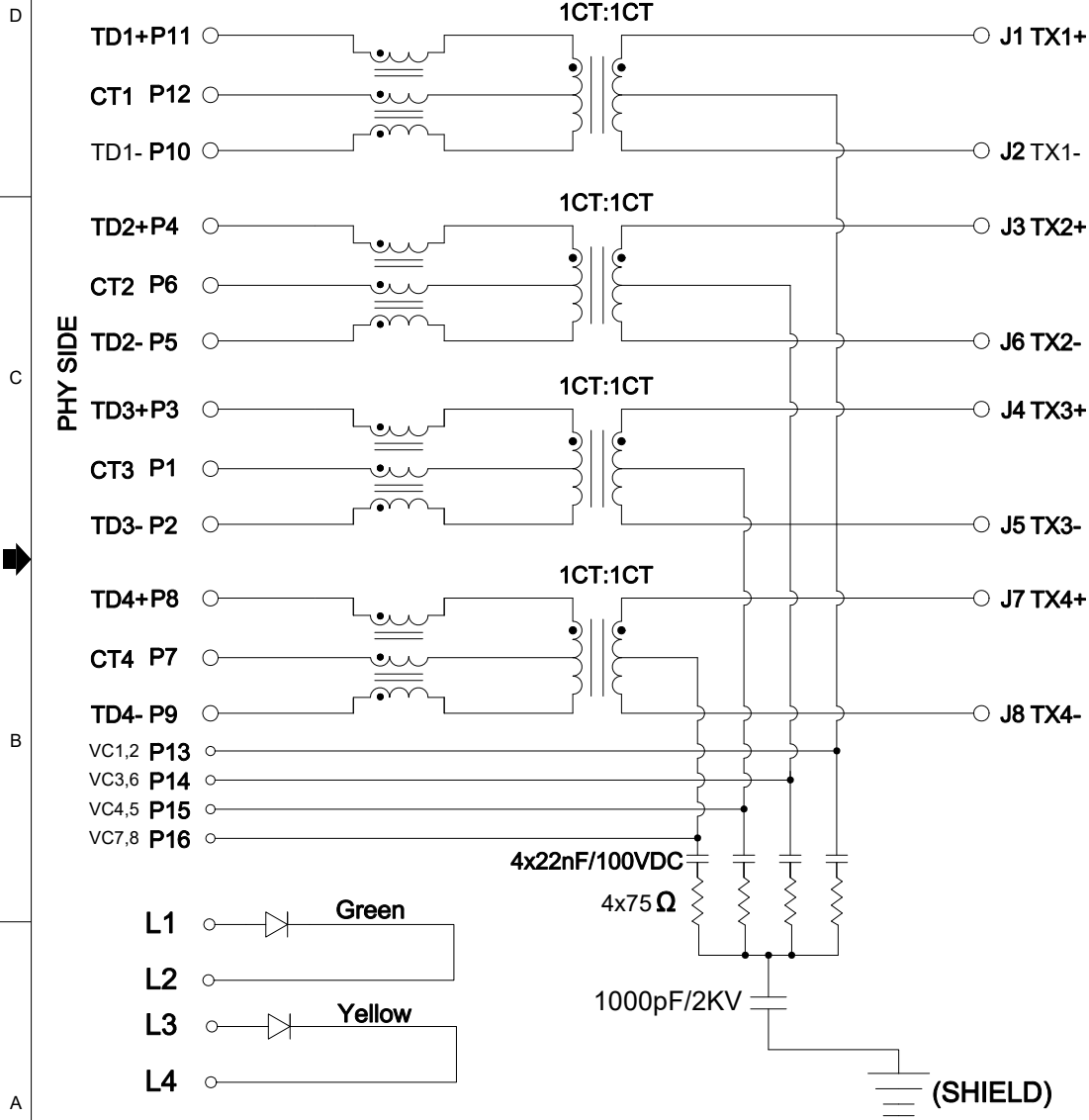
## MATERIALS

1.HOUSING:GLASS FILLED PA46(BLACK) UL94V-0(ROHS)
2.CONTACT: PHOSPHOR BRONZE,50-100 MICROINCHES MIN. OVERALL DUCTILE NICKEL UNDERPLATE WITH SELECTED 30 MICROINCHES GOLD AT MATING INTERFACE
3.SHIELD:0.2mm THICKNESS WITH BRASS.
4.JACK CAVITY CONFORMS TO FCC RULES AND REGULATIONS PART 68 SUBPART F
5.THE PART IS RECOMMENDED FOR WAVE SOLDERING PROCESS PEAK SOLDERING TEMPERATURE IS 260°C MAX,10 SECS MAX.
6.OPERATING TEMPERATURE:-40°C TO +85°C. STORAGE TEMPERATURE:-40°C TO +85°C.

产品客户图 Customer Drw				GLGNET® 深圳市方向电子股份有限公司			
未注公差	0.XX	±0.10	TOLERANCE UNLESS OTHERWISE SPECIFIED	SHEN ZHEN GLGNET ELECTRONICS CO.,LTD.			
	X.XX	±0.25		Description RJ45 1X1 Tab_Up/Through Hole/UPoE+(60W) 2.5G Base-T W/LED			
	XX.XX	±0.25					
比例 SCALE	1:1	角法 PROJ.	设计 DESIGN	WANGKG	2022.07.19	品名 TITLE	JGCJN1T1004W-G/Y
张数 SHEET	1/2	大小 SIZE	校对 CHECKED	DANNY	2022.07.19	料号 ITEM NO.	
单位 UNIT	mm	版本 REV.	核准 APPROVED	BYANG	2022.07.19	图号 DWG NO.	

# Schematic

NO.	ECN NO.	DESCRIPTION	REV.	DRAW	DATE
1					
2					
3					



PARAMETER	SPECIFICATIONS
OPERATING TEMPERATURE	-40°C To +85°C
TURNS RATIO	1:1±2%
OPEN CIRCUIT INDUCTANCE(OCL)	120uH MIN@100KHz/100mV With 19mA DC Bias For(CHANNEL1,2,3,4) 180uH MIN@100KHz/100mV With 8mA DC Bias For(CHANNEL1,2,3,4)
INSERTION LOSS(IL)	-1.0dB MAX@1MHz-100MHz; -1.0dB MAX@100MHz-125MHz;
RETURN LOSS(RL) (Z out=100 OHM)	-20dB MIN@1MHz-40MHz; -20+15LOG (f/40MHz)dB MIN@40MHz-200MHz;
CROSSTALK (ADJACENT CHANNELS)	-35dB MIN@1MHz-40MHz; -35+15LOG (f/40MHz)dB MIN@40MHz-125MHz;
COMMON MODE REJECTION RATIO(CMRR)	-30dB MIN@1MHz-200MHz;
COMMON TO DIFFERENTIAL MODE REJECTION(REF)	-35dB MIN@1MHz-125MHz;
DIFFERENTIAL TO COMMON MODE REJECTION(REF)	-40dB MIN@1MHz-10MHz;    -28dB MIN@40MHz-100MHz; -23dB MIN@200MHz;
DC CURRENT/VOLTAGE RATING-PSE PINS	720mA MAXIMUM@57VDC(CONTINUOUS)
HI-POT	2250 VDC@60 SECONDS

LED SPECIFICATION			
STANDARD LED	WAVELENGTH	Farward V(max)	TYP
GREEN	570nm	2.4V	2.2V
YELLOW	590nm	2.5V	2.1V

\*WITH A FORWARD CURRENT OF 20mA

产品客户图 Customer Drw		GLGNET® 深圳市方向电子股份有限公司 SHEN ZHEN GLGNET ELECTRONICS CO., LTD.			
未注公差 TOLERANCE UNLESS OTHERWISE SPECIFIED	0.XX ±0.10 X.XX ±0.25 XX.XX ±0.25 X° ±2°	Description	RJ45 1X1 Tab_Up/Through Hole/UPoE+(60W) 2.5G Base-T W/LED		
比例 SCALE	1:1	角法 PROJ.	设计 DESIGN	WANGKG	2022.07.19
张数 SHEET	2/2	大小 SIZE	A4	校对 CHECKED	DANNY
单位 UNIT	mm	版本 REV.	A0	核准 APPROVED	BYANG
		品名 TITLE	JGCJN1T1004W-G/Y		
		料号 ITEM NO.			
		图号 DWG NO.			