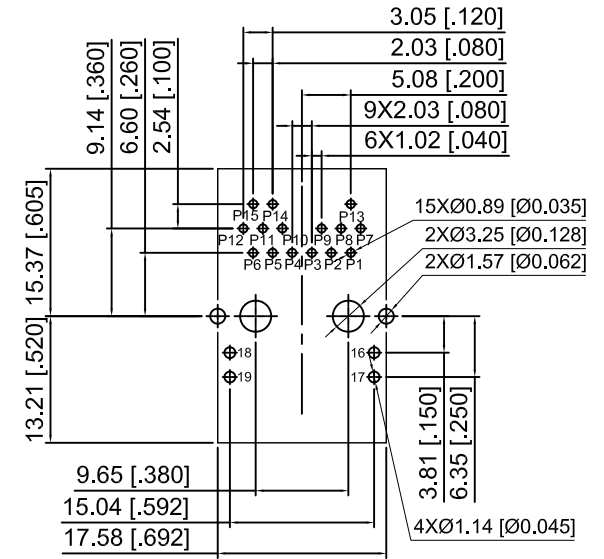
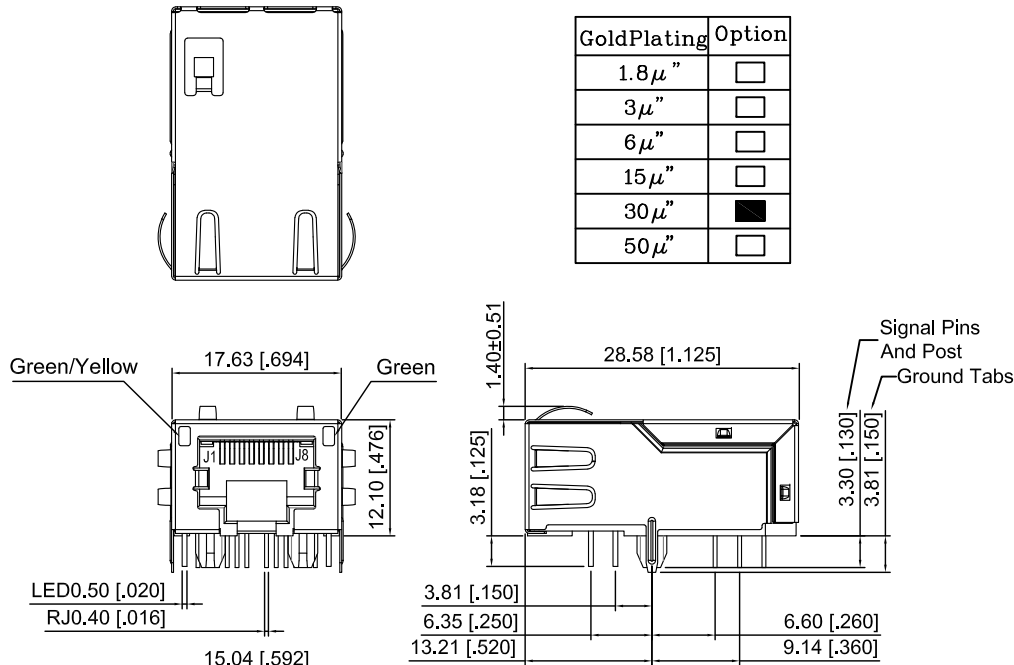


# Mechanical

NO.	ECN NO.	DESCRIPTION	REV.	DRAW	DATE
1					
2					
3					

GoldPlating	Option
1.8μ"	<input type="checkbox"/>
3μ"	<input type="checkbox"/>
6μ"	<input type="checkbox"/>
15μ"	<input type="checkbox"/>
30μ"	<input checked="" type="checkbox"/>
50μ"	<input type="checkbox"/>

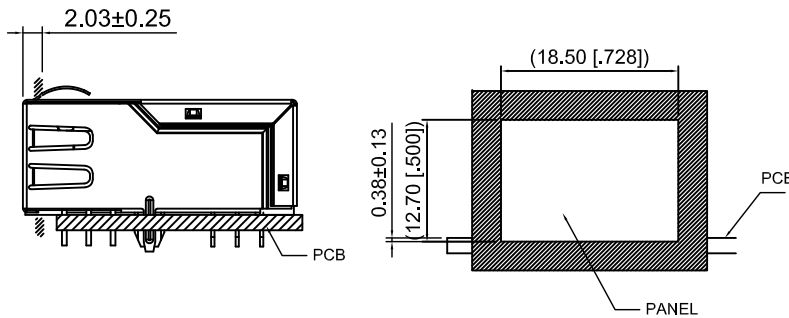


RECOMMENDED P.C.B LAYOUT  
TOP VIEW (COMPONENT SIDE)

Dimensions Tolerance:  
All PCB LAYOUT  
Tolerances:±0.05[.002]

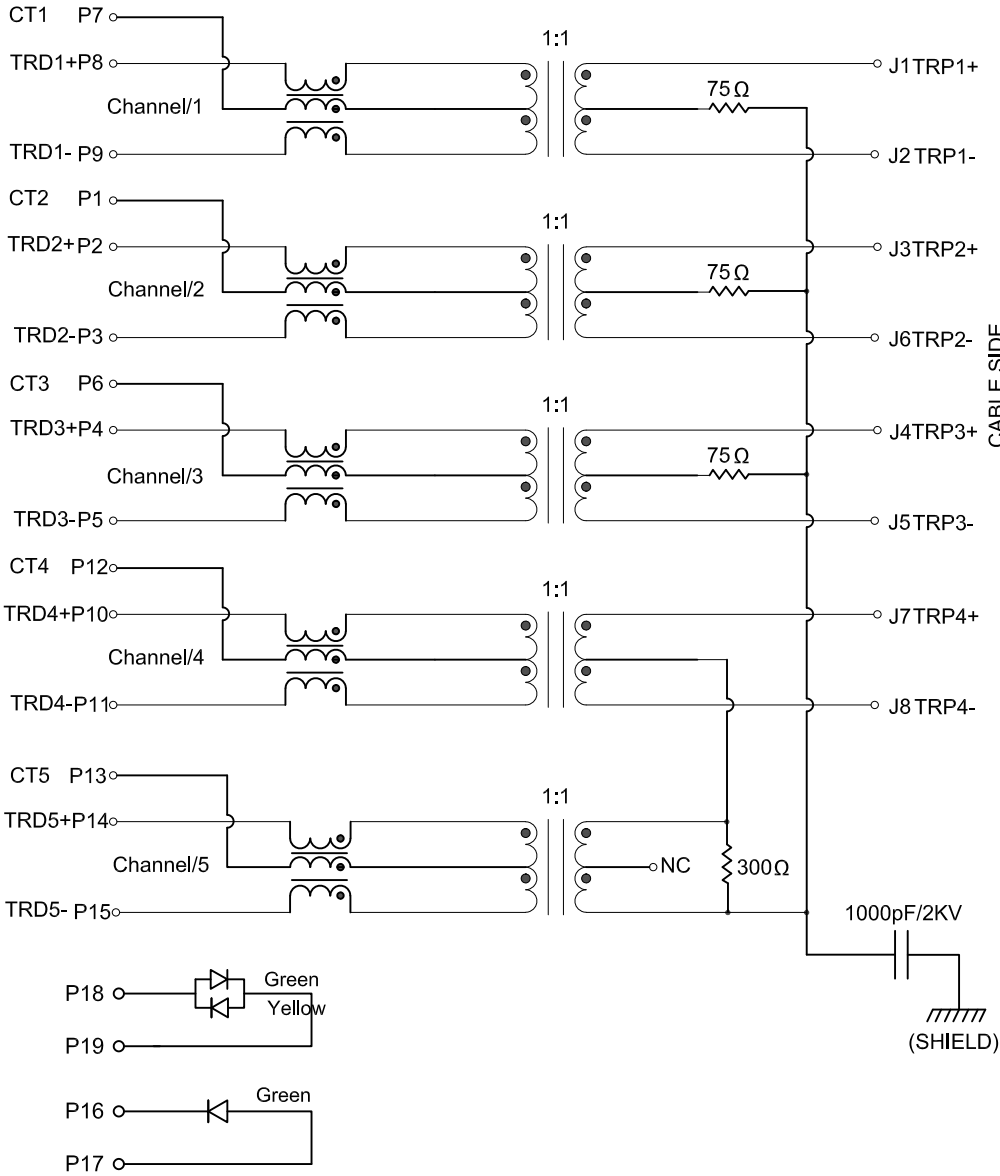
## MATERIALS

1.HOUSING:GLASS FILLED PA46(BLACK) UL94V-0(ROHS)
2.CONTACT:PHOSPHOR BRONZE.50-100MICROINCHES MIN. OVERALL DUCTILE NICKEL UNDERPLATEWITH SELECTED 30 MICROINCHES GOLD AT MATING INTERFACE
3.SHIELD:0.2mm THICKNESS WITH BRASS.
4.JACK CAVITY CONFORMS TO FCC RULES AND REGULATIONS PART 68 SUBPART F
5.THE PART IS RECOMMENDED FOR WAVE SOLDERING PROCESS PEAK SOLDERING TEMPERATURE IS 265±5°C ,10 SECS.
6.OPERATING TEMPERATURE:0°C TO +70°C. STORAGE TEMPERATURE:-40°C TO +85°C.



产品客户图 Customer Drw		GLGNET® 深圳市方向电子股份有限公司 SHEN ZHEN GLGNET ELECTRONICS CO., LTD.			
未注公差 TOLERANCE UNLESS OTHERWISE SPECIFIED	0.XX ±0.10 X.XX ±0.25 XX.XX ±0.25 X° ±2°	Description	RJ45 1X1 Tab_Down/Through Hole 10G Base-T W/LED		
比例 SCALE	1:1	角法 PROJ.	设计 DESIGN	品名 TITLE	JPNG1T1031-D1/GR
张数 SHEET	1/2	大小 SIZE	校对 CHECKED	料号 ITEM NO.	
单位 UNIT	mm	版本 REV.	核准 APPROVED	图号 DWG NO.	

# Schematic



NO.	ECN NO.	DESCRIPTION	REV.	DRAW	DATE
1					
2					
3					

PARAMETER	SPECIFICATIONS
OPERATING TEMPERATURE	0°C To +70°C
TURNS RATIO	1:1±2%
INDUCTANCE(OCL)	150uH MIN@100KHz/100mV With 0mA DC Bias
INSERTION LOSS	-3.0dBMAX@1-500MHz;
RETURN LOSS	-22dBMIN@1-100MHz; -22+20.75xLOG(f/100)dBMIN@100-500MHz;
CROSSTALK (ADJACENT CHANNELS)	-28dBMIN@1-100MHz; -19dBMIN@100-500MHz;
COMMON MODE REJECTION RATIO	-30dBMIN@1-100MHz; -20dBMIN@100-500MHz;
COMMON MODE TO DIFFERENTIAL MODE ATTENUATION	-30dBMIN@1-250MHz; -22dBMIN@250-500MHz;
HI-POT	2250VDC@60 SECONDS(Channel1/2/3/4)

LED SPECIFICATION			
STANDARD LED	WAVELENGTH	Farward V(max)	TYP
GREEN	565nm	2.4V	2.2V
YELLOW	590nm	2.5V	2.1V

\*WITH A FORWARD CURRENT OF 20mA

产品客户图 Customer Drw				GLGNET® 深圳市方向电子股份有限公司 SHEN ZHEN GLGNET ELECTRONICS CO., LTD.			
未注公差 TOLERANCE UNLESS OTHERWISE SPECIFIED	0.XX ±0.10 X.XX ±0.25 XX.XX ±0.25 X° ±2°	Description		RJ45 1X1 Tab_Down/Through Hole 10G Base-T W/LED			
比例 SCALE	1:1	角法 PROJ.	设计 DESIGN	WANGKG	2021.11.01	品名 TITLE	JPNG1T1031-D1/GR
张数 SHEET	2/2	大小 SIZE	A4	校对 CHECKED	DANNY	2021.11.01	料号 ITEM NO.
单位 UNIT	mm	版本 REV.	A0	核准 APPROVED	BYANG	2021.11.01	图号 DWG NO.